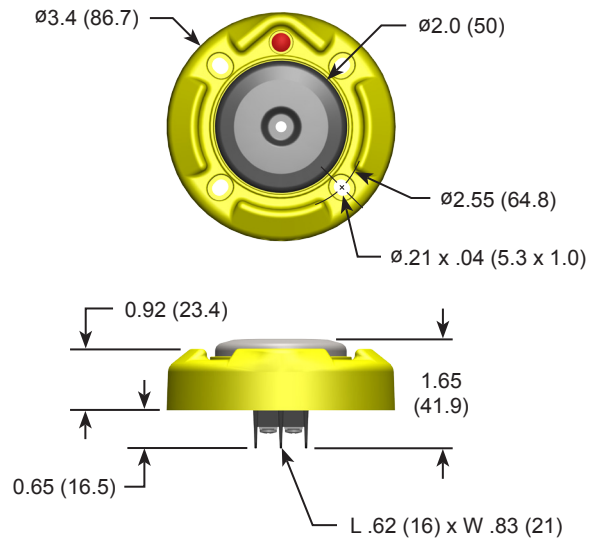
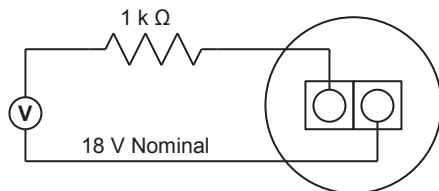


BDL3 – Bulldog III Series Vandal Resistant ADA Push Button



Suggested Test Circuit
(Momentary Mode Only)



BDL3-Y model shown.
Dimensions are in inches (millimeters).

This button is a highly vandal resistant button with essentially no moving parts. It is pressure activated, but can withstand an impact from a baseball bat or hammer. When the switch activates, you hear a beep and the LED either flashes (Momentary Mode) or lights and stays on until the walk cycle (Latching Mode).

Body Material: Aluminum, Powder Coated

Button Material:

| | |
|---------------|--|
| Standard: | 316 Stainless Steel |
| Arrow Button: | Anodized 6061 Aluminum, Nickel Plated Black Powder Coat on area surrounding arrow |

Piezo Driven Solid State Switch:

| | |
|------------------------|---------------------------------------|
| Operating Force: | 3.0 lbs. Maximum |
| Operating Temperature: | -30°F to 165°F (-34°C to 74°C) |
| Operating Voltage: | 12-36 VDC, 9-25 VAC RMA (18 VDC Typ.) |
| MTBF: | 8,800,000 hours Typ. |
| Switch Operating Life: | Greater than 300 million operations. |
| “Off” Current: | 15µA Typ. |
| “On” Resistance: | 40Ω Typ. (Momentary) |
| Maximum “On” Current: | 30 mA (over-current protection) Typ. |
| Maximum “On” Time: | 11 sec. Typ. |
| Debounce Time: | 85 ms. Typ. |

LED Operating Modes:

| | |
|------------|---|
| Momentary: | Approx 0.025 sec. LED flash each time button is pressed. |
| Latching: | LED activates only during non-walk phases and stays on until the beginning of the walk phase. |

LED Specifications:

| | |
|---------------------|---------------------------------|
| Luminous Intensity: | 0.3 Lux @ 1 meter Minimum (Red) |
| Viewing Angle: | 155° Typical |

Beeper:

| | |
|------------------|---------------------|
| Volume: | 68dB @ 1 meter Typ. |
| Beep on Press: | 2.6kHz |
| Beep on Release: | 2.3kHz |
| Beep Length: | 50ms Typ. |

Terminal screws include washers (clamping plates) intended for bare wire. Crimp Terminals are not recommended.

Warranty: 5 Years, free from manufacturers defects

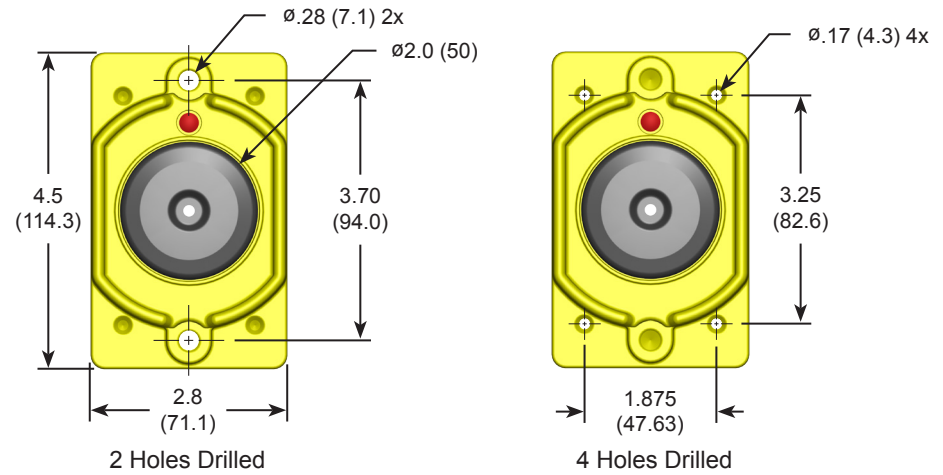
See page 2 for additional design compliance and accessory information.

Design Compliance

| Test Type | Compliance |
|--------------------------------|--|
| Activation Force | MUTCD 2009 - 4E |
| Temperature and Humidity | NEMA TS 2 |
| Transient Voltage Protection | NEMA TS 2 |
| Transient Suppression | IEC 61000-4-4, IEC 61000-4-5 |
| Lightning and Power Protection | GR-1089-CORE, Extended to 6000V-400A, 25 reps, 120VAC-15 mins. |
| Electronic Noise | FCC Title 47, Part 15, Class A |
| Mechanical Shock and Vibration | NEMA TS 2 |
| Ingress of Water | NEMA 250 - 6P, Rain, Snow, etc... |
| Ingress of Water | NEMA 250 - 6P, Submersion |
| Salt Spray and Corrosion | NEMA 250 - 6P |
| Ingress of Foreign Objects | NEMA 250 - 6P |
| Electrical Reliability | NEMA TS 4 |

Note: Applicable sections only of reference standards. All specifications are subject to change without notice.

**Mounting Hole Options
(Rectangular Body Only)**



Product Ordering Information

R BDL3 AL - B - 2H

Body Style
Blank for Round Body
R - Rectangular Body

Product Category
BDL3 - BullDog III

Button Style
Blank for standard Stainless Steel button
AL - Left Arrow Button
AR - Right Arrow Button
AU - Up Arrow Button

Mounting Hole Options
(Rectangular Body Only)
Blank for no holes pre-drilled
2H - 2 Holes Drilled
4H - 4 Holes Drilled

Body Color
B - Black
G - Green
Y - Yellow

Button Style



Standard
(Stainless Steel)



Up Arrow



Left Arrow



Right Arrow

(Aluminum - Black Powder Coat)