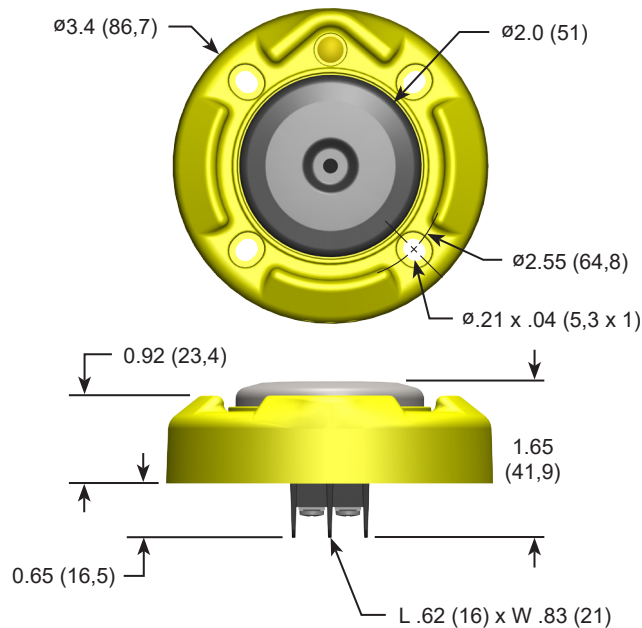
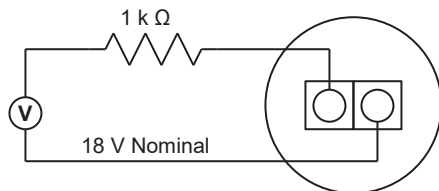


## BDSP-011 – Bulldog III Series Vandal Resistant ADA Compliant Push Button without LED for TS1 Cabinets with Relay Isolators



Suggested Test Circuit  
(Momentary Mode Only)



BDSP-011-Y model shown.  
Dimensions are in inches (millimeters).

This button is a highly vandal resistant button with essentially no moving parts. It is pressure activated, but can withstand an impact from a baseball bat or hammer. When the switch activates, you hear a beep. When the button is released you will hear a second beep. BDSP-011 meets the relay driving requirements of older electromechanical relay based PED isolators found in some TS1 Cabinets.

Body Material: Aluminum, Powder Coated

Button Material:

Standard: 316 Stainless Steel  
Arrow Button: Anodized 6061 Aluminum, Nickel Plated Black Powder Coat on area surrounding arrow

Piezo Driven Solid State Switch:

Operating Force: 3.0 lbs. Maximum  
Operating Temperature: -30°F to +165°F (-34°C to +74°C)  
Operating Voltage: 12-36 VDC, 9-25 VAC RMS (18 VDC Typ.)  
MTBF: 8,800,000 hours Typ.  
Switch Operating Life: Greater than 300 million operations  
"Off" Current: 15  $\mu$ A Typ.  
"On" Resistance: 5  $\Omega$  Typ.  
Maximum "On" Current: 350 mA (over-current protected) Typ.  
Maximum "On" Time: 11 sec. Typ.  
Debounce Time: 85 ms Typ.

Beeper:

Volume: 68 dB @ 1 meter Typ.  
Beep on Press: 3.5 kHz  
Beep on Release: 2.6 kHz  
Beep Length: 50 ms Typ.

Terminal screws include washers (clamping plates) intended for bare wire. Crimp Terminals are not recommended.

Warranty: 5 Years, free from manufacturers defects

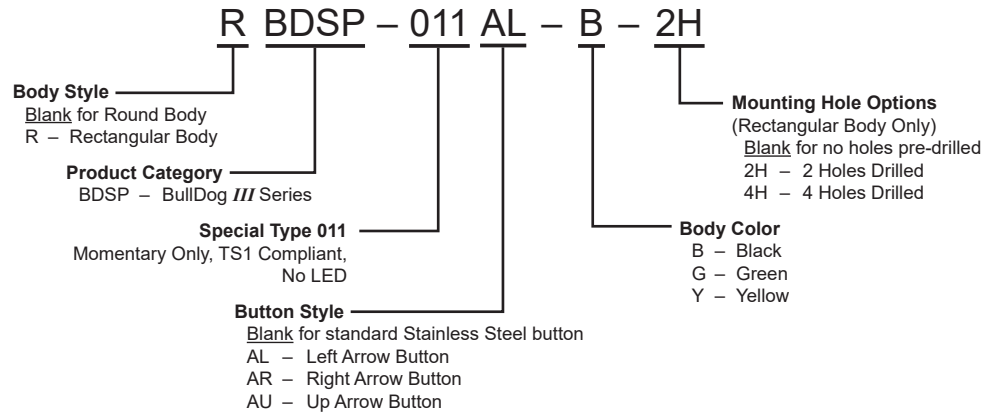
See page 2 for additional design compliance and ordering information.

**Design Compliance**

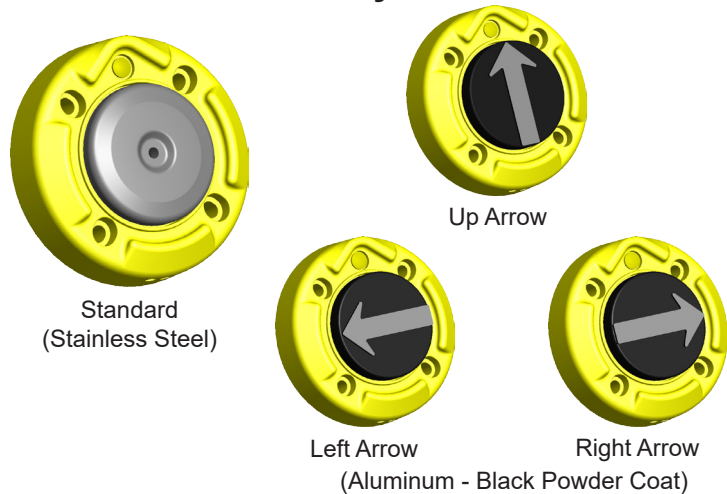
Test Type	Compliance
Activation Force	MUTCD 2009 - 4E
Temperature and Humidity	NEMA TS 2
Transient Voltage Protection	NEMA TS 2
Transient Suppression	IEC 61000-4-4, IEC 61000-4-5
Lightning and Power Protection	GR-1089-CORE, Extended to 6000V-400A, 25 reps, 60VAC-15 mins.
Electronic Noise	FCC Title 47, Part 15, Class A
Mechanical Shock and Vibration	NEMA TS 2
Ingress of Water	NEMA 250 - 6P, Rain, Snow, etc...
Ingress of Water	NEMA 250 - 6P, Submersion
Salt Spray and Corrosion	NEMA 250 - 6P
Ingress of Foreign Objects	NEMA 250 - 6P
Electrical Reliability	NEMA TS 4

Note: Applicable sections only of reference standards. All specifications are subject to change without notice.

**Product Ordering Information**



**Button Styles**



**Mounting Hole Options**

(Rectangular Body Only)

