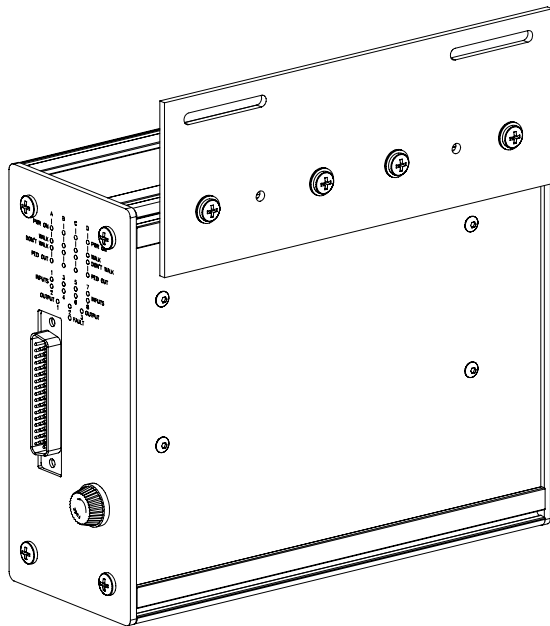


# MOUNTING PLATE FOR CCU AND LPBCU

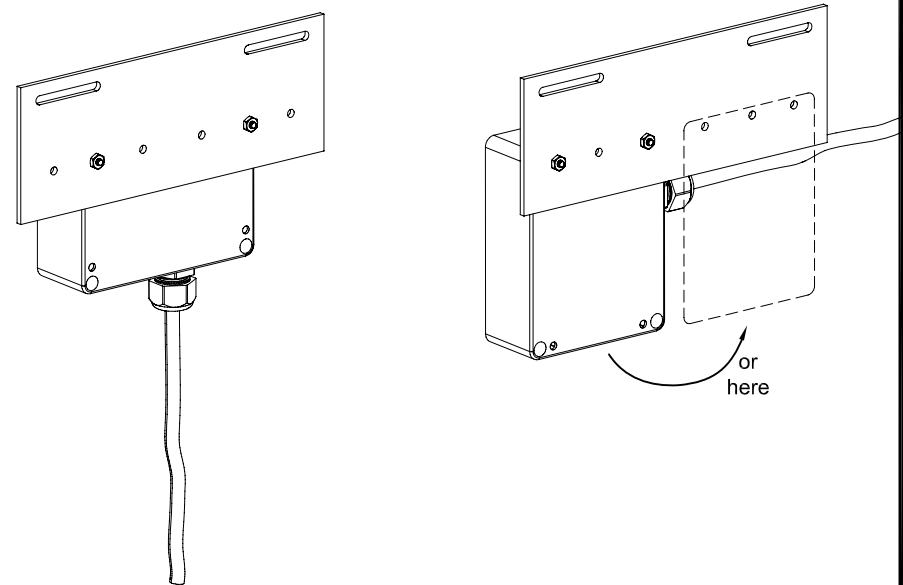
## CCU



Hardware: (4) #8 x 3/8" Sheet Metal Screw  
(8) #8 Washers

Position mounting plate so holes line up with channel on top case channel. Put 2 washers on each sheet metal screw then drive screws into channel using any four holes (washers take up gap left when screws bottom out).

## LPBCU



Hardware: (2) 6-32 x 3/8" Screws  
(2) 6-32 Nuts

Remove cover from LPBCU and then fold PCB out to the side making sure not to strain wires connected to box. Choose orientation of how you want to mount the LPBCU. Install 2 screws into appropriate cavities so they extend out the backside of the LPBCU (will need to hold in place with a screwdriver). Insert screw(s) through appropriate hole(s) in plate. Attach nut and tighten securely.