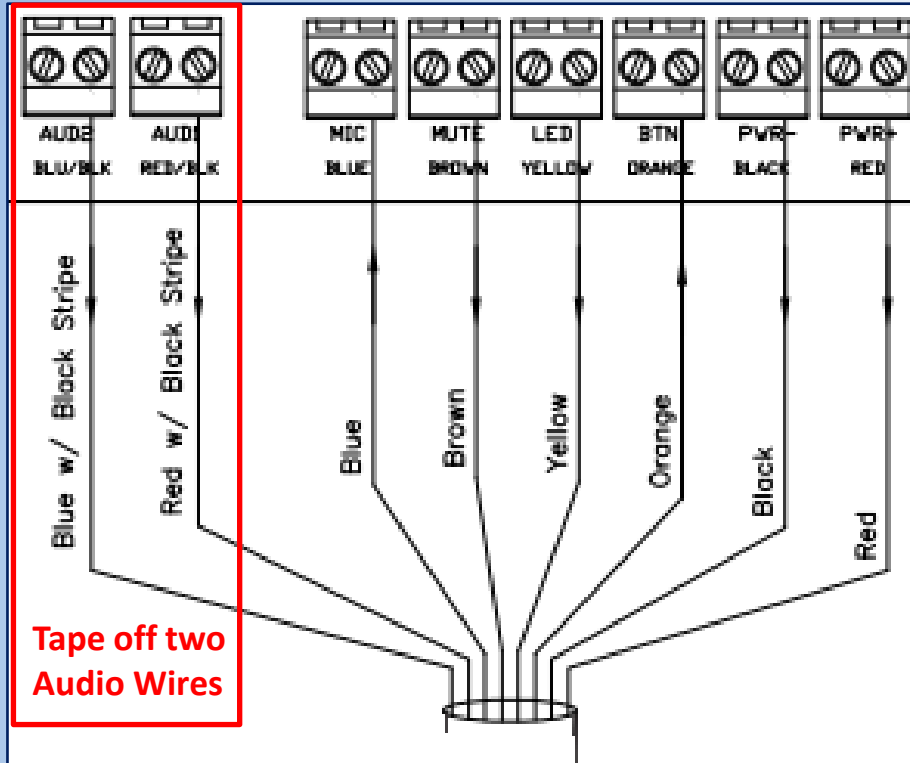


Wiring coming from XAVCU2F or XAVCU2F-DC



8 Wires Total – only 6 needed for iNX

iNX Push Button Station

Connections (6 Wires)

2 Wires - Power & Ground - The iNX needs a DC voltage (10-24 VDC) for power. That will get the button up and running.

2 Wires - Button (+/-) - In order to signal some controllers like an RRFB, once the button is pressed you will need to connect to the Button Terminals. That connection creates a "contact closure". This normally triggers the controller to start flashing the lights.

2 Wires - Input for the Lights (+/-) - For the iNX to play the programmed message and flash its LED, you will need to feed a signal to the Lights input from the controller (7-32 VDC).



2-Wire inputs for LIGHTS (+/-)*

2-Wire inputs for BUTTON (+/-)*

Power (PWR)

Ground (GND)

*Note: Both LIGHTS and BUTTON accept either polarity.

To convert wiring from XAV2CUF/-DC control Unit and Model X PBS to iNX PBS (no control unit):

1. Disconnect the existing 8 wires from the XAV2CU control board and XAV2E-LED PBS. Tape off the two **Audio** wires from both ends of 8 wire system/harness.
2. Connect the six wires to the warning light system (RRFB manufacturer)
3. Match and connect other end of the same six wires to the PBS terminal block labels (Lights, Button, PWR, Ground)