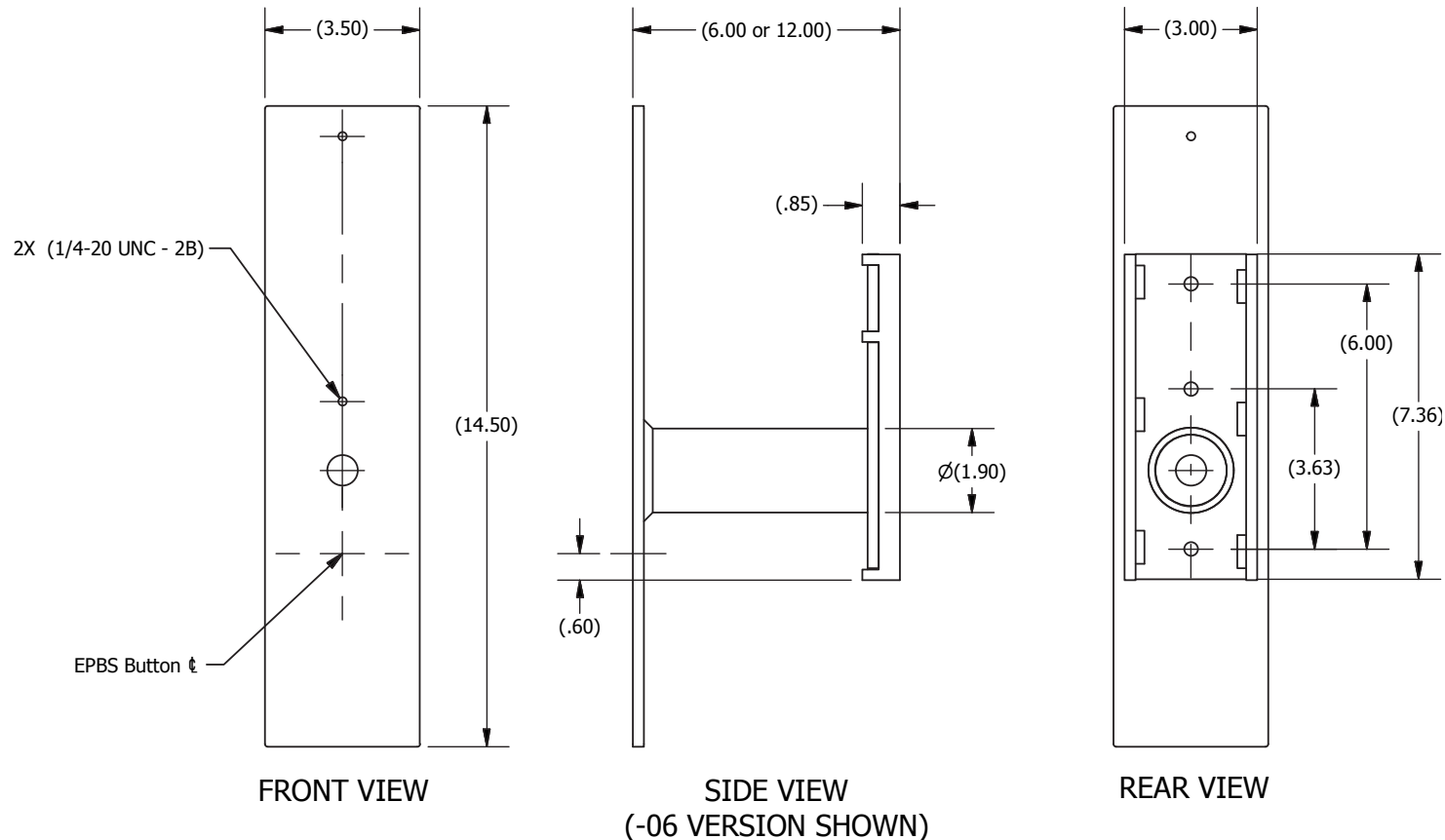


EZ523 – EZ Communicator Navigator Push Button Station (EPBS) Mounting Extender

The EZ Communicator Navigator Push Button Station (EPBS) Mounting Extender is intended to mount a Polara EPBS 6" or 12" away from the traffic pole, in order to position the EPBS closer to the start of the crosswalk. EPBS wires are routed inside of the channel to protect them against vandalism. Extender can be bolted or banded to the traffic pole.

Body Material: Galvanized Steel



Product Ordering Information

EZ523-06 6" Extension
 EZ523-12 12" Extension

Notes:

1. Applicable sections only of referenced standards.
2. All specifications subject to change without notice.

Dimensions are in inches (millimeters).