

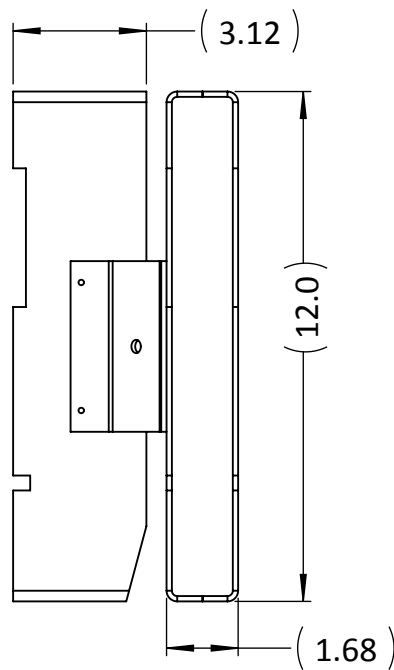


PBF2S-X.X-X PBF2 Dual Mounts for 2.9" and 4.5" Poles

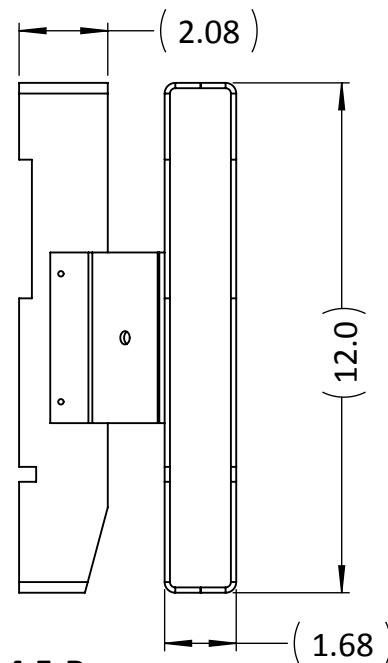
These mounts are designed to mount two push button frames (PBF2-5X7, PBF2C-5X7) on either a 2.9" or 4.5" O.D. pole. The depth of the mount allows for two units with 9" x 12" or 9" x 15" signs to be mounted without interference.

The mounts attach to the traffic pole with a single 1" long bolt through the center plate. The push button stations attach to the pole with two hex bolts each. All mounting hardware is included.

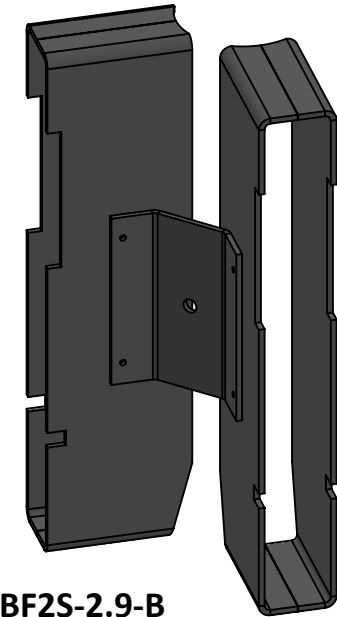
These dual mounts are constructed from aluminum, powdercoated black. Additional colors can be quoted upon request.



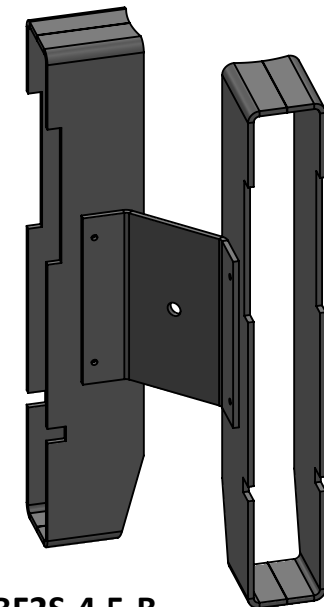
PBF2S-2.9-B



PBF2S-4.5-B



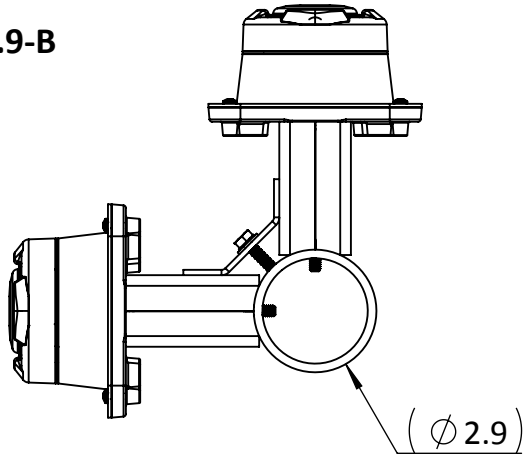
PBF2S-2.9-B



PBF2S-4.5-B

Dimensions are in inches.

PBF2S-2.9-B



Product Ordering Information

PBF2S-X.X - X

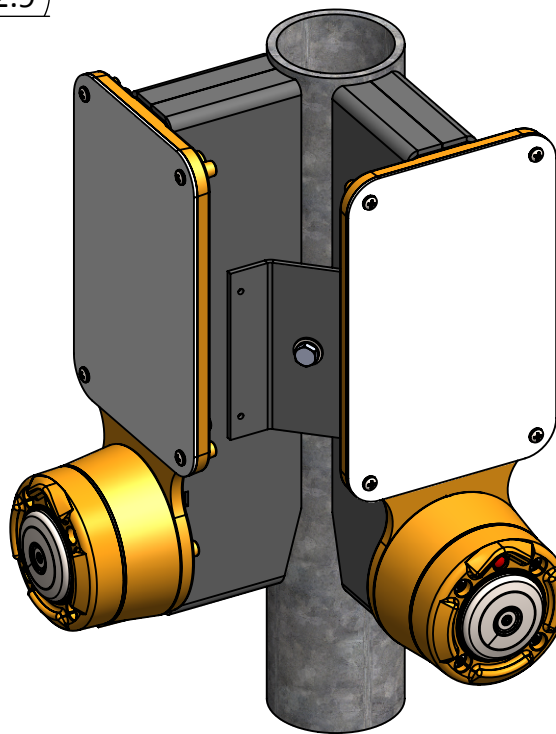
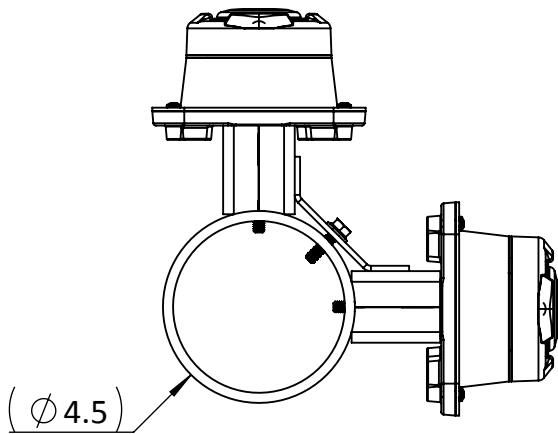
Mount Size

- 2.9 - For 2.9" OD (2.5" ID) poles
- 4.5 - For 4.5" OD (4.0" ID) poles

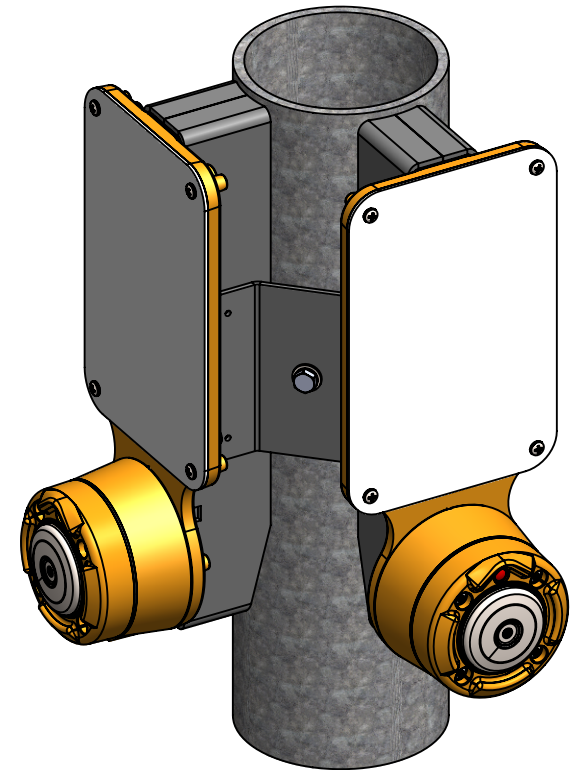
Frame Color

- B - Black
- Additional colors quoted upon request

PBF2S-4.5-B



PBF2S-2.9-B



PBF2S-4.5-B

Dimensions are in inches.