

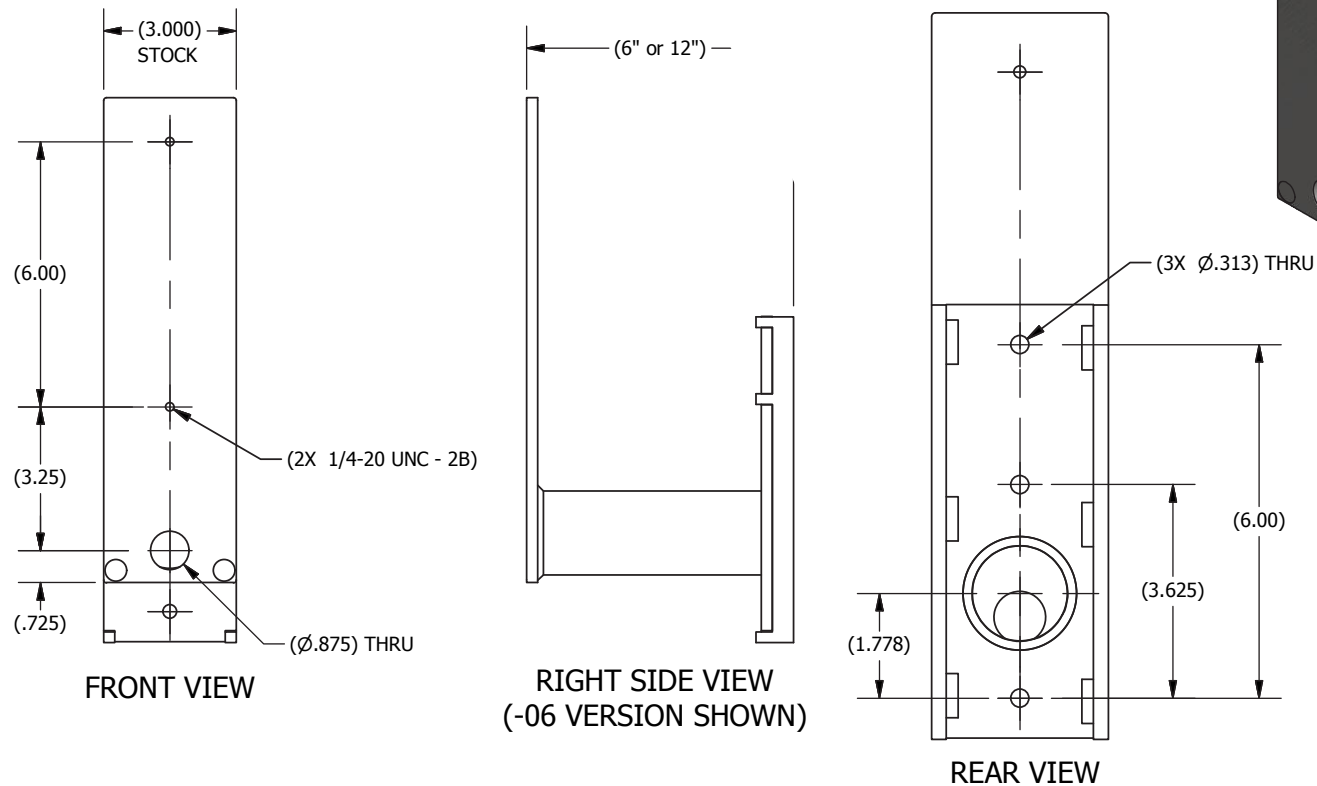
PBFE – Push Button Frame Extender

The MUTCD specifies a maximum button height of 48" with no minimum specified. The recommended height is typically 42" above ground/standing grade, but it can be lower.

The Push Button Frame Extender (PBFE) is intended to mount a Polara Push Button Frame (PBF5X7, PBF2, or PBF2C) either 6" or 12" away from the traffic pole, in order to position the Push Button closer to the crosswalk. Push Button wires are routed inside of the tube to protect them against vandalism.

Extender can be held onto the pole by either banding (up to 1" wide), or with the two 1/4-20 mounting bolts supplied with each Extender.

Body Material: Welded steel, with hot dipped galvanize coating



Product Ordering Information

PBFE-06	6" Extension
PBFE-12	12" Extension

Dimensions are in inches (millimeters).

Notes:

Applicable sections only of referenced standards.
All specifications subject to change without notice.