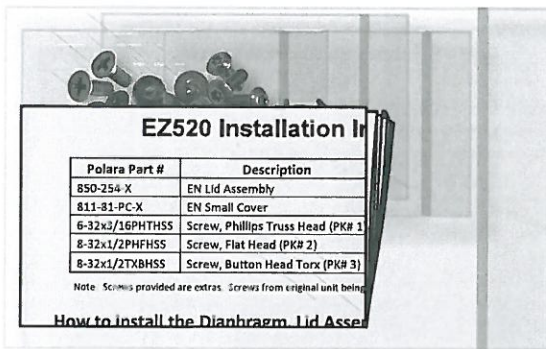


EZ520-X Color Pack

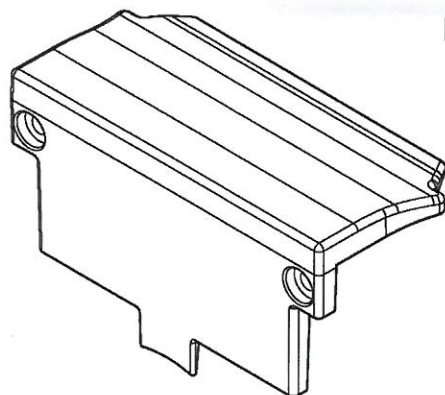


The EZ520 Color Pack is a bundle of the required parts needed to change the Front Cover color of an EZComm Navigator PBS base unit. This Color Pack works for both 2 and 4 Wire systems. The Color Pack consists of the Lid Assembly, Small Cover, and bagged Hardware. Simply take the button arrow diaphragm from the original color lid and install it into the Lid Assembly of the Color Pack, install the Lid Assembly and Small Cover onto the base unit and you are ready to go. If the unit has a 9x12 or 9x15 faceplate, the coordinating back plate must be purchased separately (P/N: PBFA9X12-X or PBFA9X15-X).

To designate color replace "X" in the part number with:

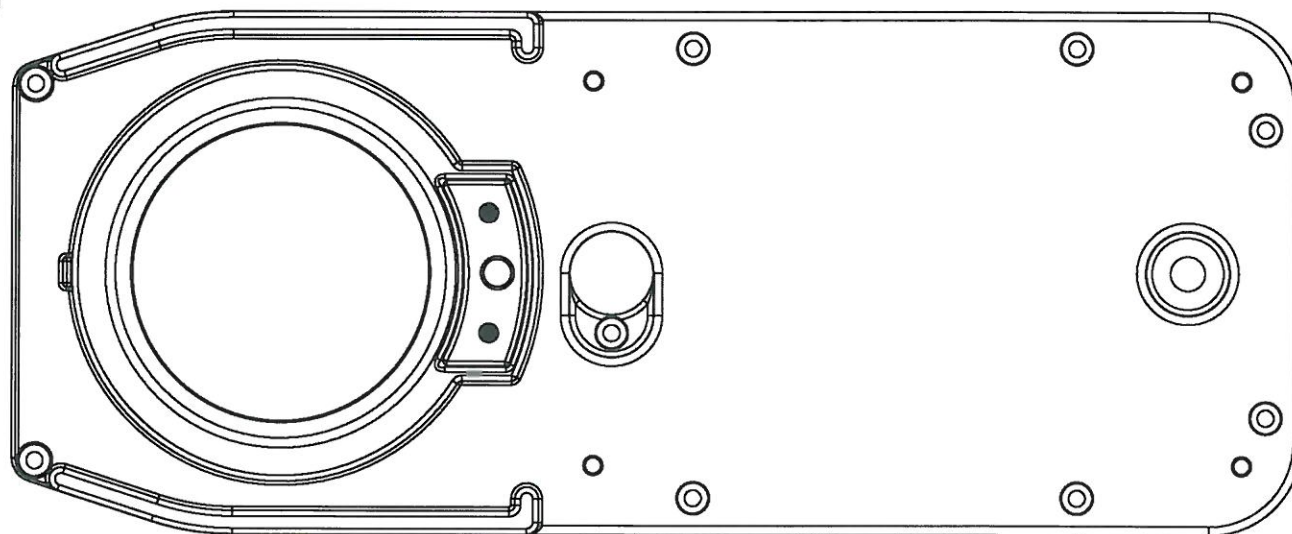
- "B" for Black
- "G" for Green
- "Y" for Yellow

Material: Powder Coated Cast Aluminum, Stainless Steel Hardware



Small Cover

Hardware



Lid Assembly

All specifications subject to change without notice.