



iDS: "iNS" iNavigator 2-Wire Push Button Station with iDetect Option & PedApp®

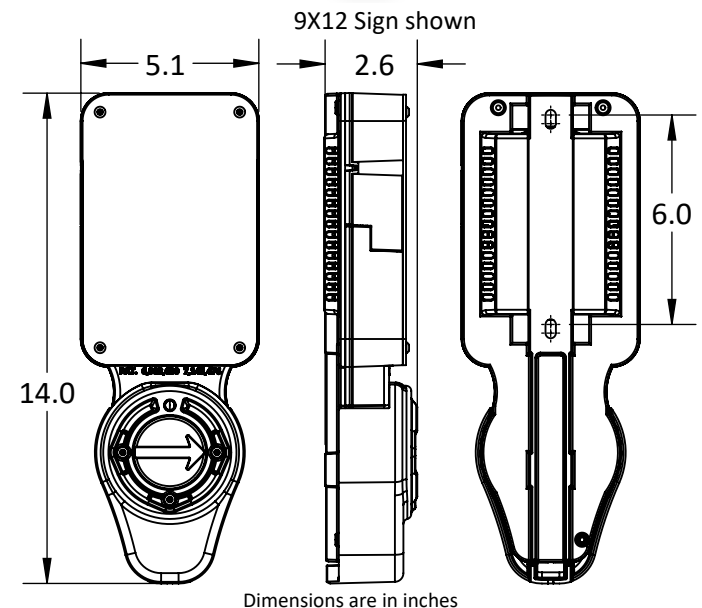
The "iNS" iNavigator 2-Wire Push Button Station (iNS2 PBS) is the pedestrian interface to the iNavigator Accessible Pedestrian System. A system consists of a Control Unit (PN iCCU-S2, iCCU-C2, iCCU-S, or iCCU-C) and iNS Push Button Stations. The iNS PBS is MUTCD compliant and provides valuable information and cues via both a vibrating arrow button and audible sounds, making the intersection accessible for all pedestrians. All sounds emanate from the front and back of the unit. A sunlight-visible red LED latches "ON" along with a tactile feedback "bounce" to confirm the button has been pushed. The vandal-resistant design of the iNS PBS includes the body, which houses the ADA compliant push button (shown), a faceplate (5X7 sign shown), and mounting hardware.

iDS = iDetect Touchless Actuation Option

- Detects movement typically within 1-4 inches
- Inconspicuous Radar Detection - Vandal Resistant

PedApp® - Smartphone App - Wireless Bluetooth® 5

- For Visually impaired & All Pedestrians, allows button actuation from phone via Bluetooth wireless technology
- Can provide intersection crossing information - location, directionality
- Provides same information as visual indication (Don't Walk, Walk, Ped Clearance, and audible countdown if programmed)
- Agency can control Ped App usage at intersections
- Works with "Text to speech" in Smartphones
- Recommend agencies to use/implement at pedestrian requested APS sites



See iNS2 Cut Sheet for detailed list of features



Operating Specifications	
Parameter	Rating
Operating Temp. Range	-34°C to +74°C (-30°F to +165°F) For iDetect See below
Storage Temp. Range	-45°C to +85°C (-50°F to +185°F) For iDetect see below
Operating Force	3.0 lbs max, option of 3 adjustable programmed forces
Switch Operating Life	Greater than 20 million operations
Max. Volume	100 dB @ 1 meter

Design Compliance	
Functionality Test Type	Compliance
Temperature and Humidity	MUTCD 2009-4E
Transient Voltage Protection	NEMA TS2
Transient Suppression	NEMA TS2
Mechanical Shock and Vibration	NEMA TS2
iNS3 PBS Enclosure	NEMA 250 Type 4X
Electrical Reliability	NEMA TS2

Notes:

1. Lab tested to applicable sections of referenced standards
2. All specifications are subject to change without notice
3. All specifications are typical unless otherwise specified

iDetect Radar Operating Specifications

Operating to MFG Specs* **-20°C to + 60°C (-4°F to + 140°F)**
Operating** **-40°C to + 80°C (-40°F to + 176°F)**
Storage **-40°C to + 80°C (-40°F to + 176°F)**

*Detection will work as specified in this temperature range
 **Detection could fluctuate and be reduced/less responsive

All normal APS functions will work through the higher NEMA temperature ranges. This is an additional feature/supplement to APS.

iDS2 5 A N 0 - B - BD-ES

Additional Options

NA - No Arrow
 BD - Bi-Directional Arrow
 Other Options
 WPC - With pole cap
 ES - External Speaker option

Button Cover Color

Back plate is always black.
 B - Black
 G - Green
 Y - Yellow

Audio Message Option

0 - Standard messages
 1 - Custom Messages

Braille

N - No braille on faceplate
 B - Braille on faceplate

Faceplate (Sign)

MUTCD Compliant
 V - 9x12 R10-3
 U - 9X12 R10-3b
 T - 9x15 R10-3e

Non-MUTCD Compliant

A - 5x7- International
 B - 5x7- International
 C - 9X12- Countdown
 D - 5X7 or 9x12- International
E - 5X7 Touchless
 O - No Faceplate
R - 9X12 or 9X15 Touchless

Size of Front Plate Adapter

5 - 5" x 7"
 9 - 9" x 12"
 3 - 9" x 15"

Navigator Family

iNS2 - iNavigator S 2-Wire Push Button without iDetect
iDS2 - with iDetect Option