



iDS: "iNS" iNavigator 3-Wire Push Button Station with iDetect Option & PedApp®

For standard APS functions and details, please see iNS Push Button Station Cut Sheet

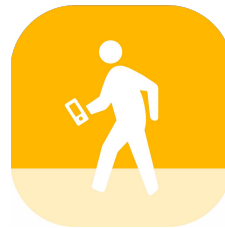
iDS = iDetect Touchless Actuation Option

- Detects movement typically within 1-4 inches, adjustable detection range of 1-20 inches
- Inconspicuous Radar Detection - Vandal Resistant
- Adjustable "Minimum Wave Detection Time" 0ms, 50ms, 250ms, & 500ms
- Detection not impeded by ice buildup

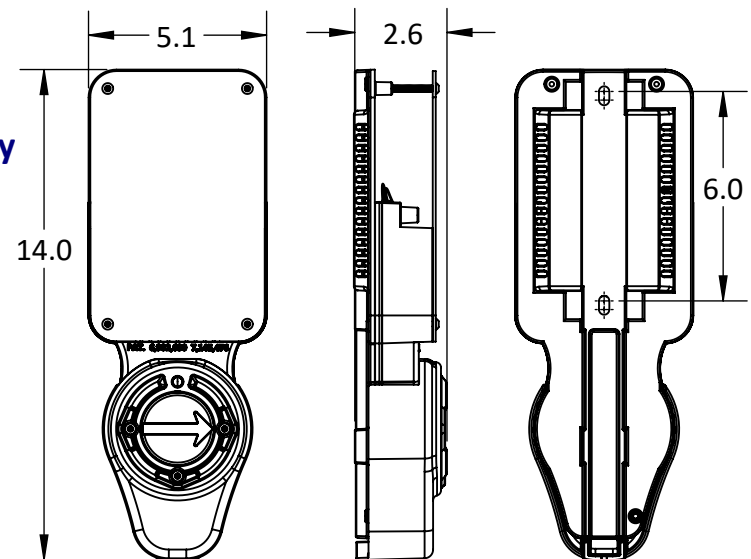
PedApp® - Smartphone App - Wireless Bluetooth® 5

(Available/compatible with iNS & iDS systems)

- For Visually impaired & all pedestrians, allows button actuation from phone via Bluetooth wireless technology
- Can provide intersection crossing information - location, directionality
- Provides same information as visual indications (Don't Walk, Walk, Ped Clearance, and audible countdown if programmed)
- Agency can control PedApp usage at intersections
- Works with "text to speech" in Smartphones
- Recommend agencies use/implement at pedestrian requested APS sites



9X12 Sign shown



Dimensions are inches

*The iNS3 replaces the iN3 and is backward compatible with the iPHCU3W.
See iNS3 Cut sheet for detailed list of features



Operating Specifications	
Parameter	Rating
Operating Temp. Range	-34°C to +74°C (-30°F to +165°F)†
Storage Temp. Range	-45°C to +85°C (-50°F to +185°F)
Operating Force	3.0 lbs max, option of 3 adjustable programmed forces
Switch Operating Life	Greater than 20 million operations
Max. Volume	100 dB @ 1 meter

Design Compliance	
Functionality Test Type	Compliance
Temperature and Humidity	MUTCD 2009-4E
Transient Voltage Protection	NEMA TS2
Transient Suppression	NEMA TS2
Mechanical Shock and Vibration	NEMA TS2
iNS3 PBS Enclosure	NEMA 250 Type 4X
Electrical Reliability	NEMA TS2

Notes:

1. Lab tested to applicable sections of referenced standards
2. All specifications are subject to change without notice
3. All specifications are typical unless otherwise specified

† iDetect touchless actuation will work as specified in the range of -20°C to -60°C (-4°F to +140°F). Detection could fluctuate and be reduced/less responsive outside of the specified range. All normal PBS functions will work through the extended NEMA temperature ranges. iDetect is an additional feature/supplement to the PBS.

iDS3 5 A N 0 - B - BD-ES

Additional Options

NA - No Arrow
BD - Bi-Directional Arrow

Other Options

WPC - With pole cap
ES - External Speaker option

Button Cover Color

Back plate is always black.
B - Black
G - Green
Y - Yellow

Audio Message Option

0 - Standard messages
1 - Custom Messages

Braille

N - No braille on faceplate
B - Braille on faceplate

Faceplate (Sign)

MUTCD Compliant

V - 9x12 R10-3
U - 9X12 R10-3b
T - 9x15 R10-3e

Non-MUTCD Compliant

A - 5x7- International
B - 5x7- International
C - 9X12- Countdown
D - 5X7 or 9x12- International

E - 5X7 Touchless

O - No Faceplate

R - 9X12 or 9X15 Touchless

Size of Front Plate Adapter

5 - 5" x 7"
9 - 9" x 12"
3 - 9" x 15"

Navigator Family

iNS3 - iNavigator S 3-Wire Push Button without iDetect

iDS3 - with iDetect Option