

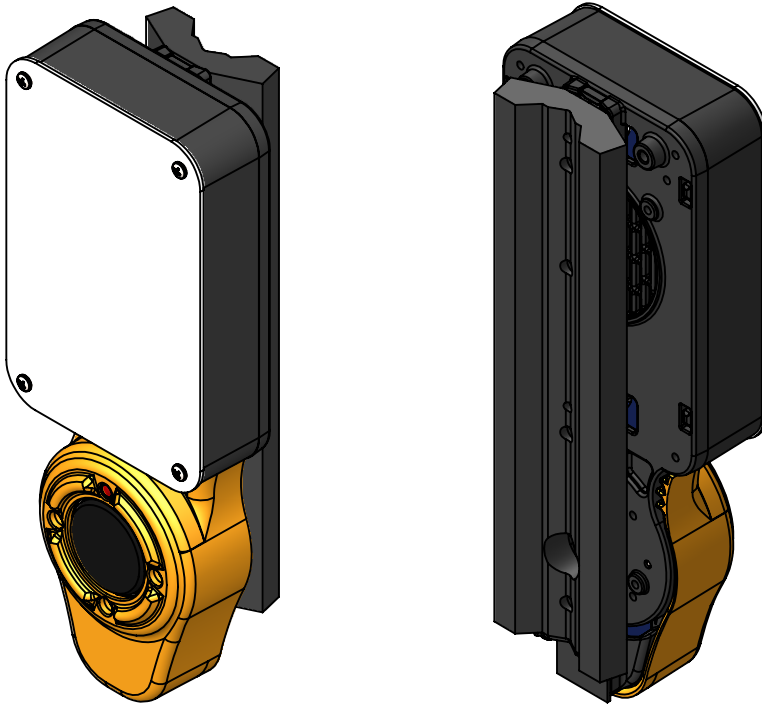


iNPA-B-FP: Fluted Pole Mounting Adapter for iNav

This adapter is a modified version of the iNPA4X2 bracket, designed for decorative fluted poles. The cutouts on the bracket clear the flutes on most poles, allowing an iNavigator unit to be mounted directly on, or up to 20 degrees to either side of a scallop.

The adapter can be strapped or bolted to a pole. Tapped mounting holes are spaced 6" apart to match the spacing of the iNav. The adapter is only compatible with iNavigators.

The bracket is made of black powder-coated aluminum.



Dimensions are in inches.

