

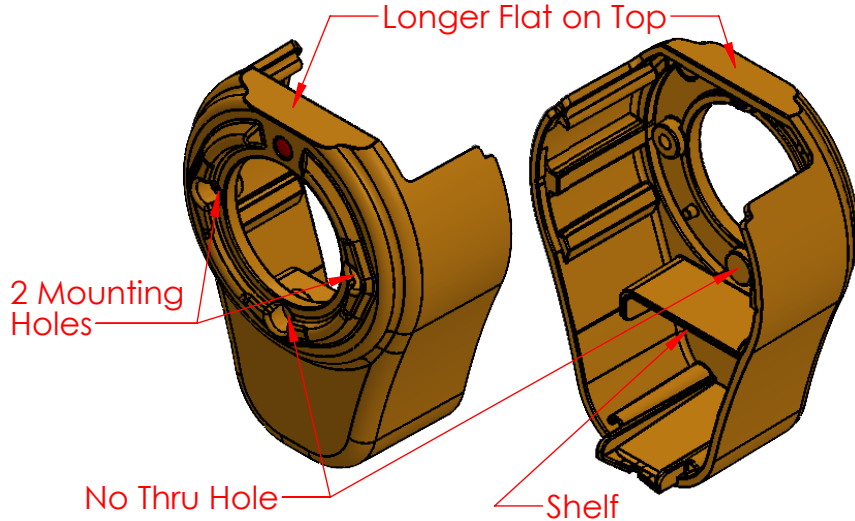
iNS-CCK: Color Change Kit for iNS and iDS Aluminum Covers

The iNS-CCK is the color change kit for iNS/iDS. There are two different form factors of the cover and it is necessary to order the one that fits the target iNS/iDS button. The older version of the cover is referred to as "R1" and the new one is "R2". There are distinguishing features that will help to easily identify an R1 or R2 cover. The R1 cover had 3 holes for mounting screws, while the R2 only requires 2 holes for 2 screws. The R2 cover has a shelf protruding from the back side that interfaces with the iNS/iDS housing, whereas the R1 does not. Note, the R1 must be used with the older iNS/iDS housings and the R2 must be used with the newer iNS/iDS housings; they are not compatible with different versions of the housing, so it is critical to order the appropriate cover for the appropriate housing.

"R2": Newer Version

Front View

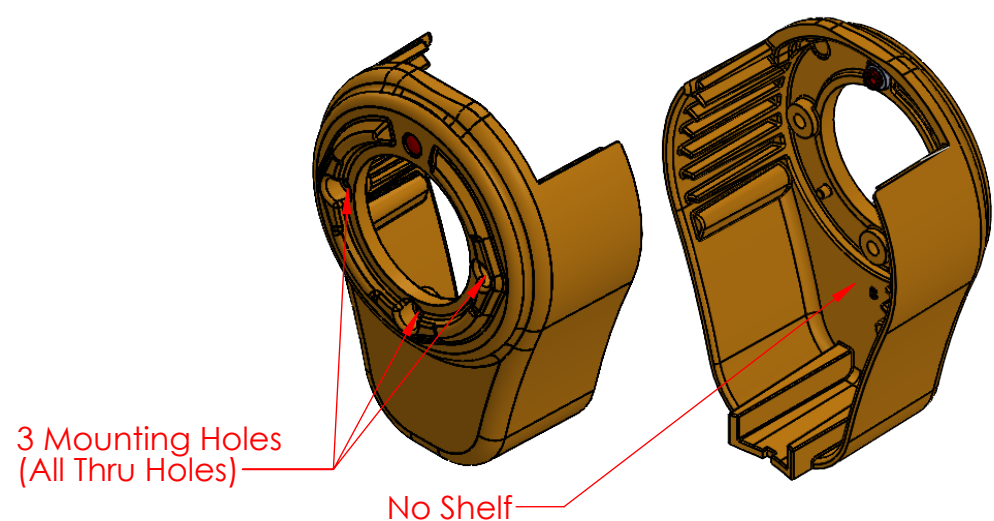
Rear View



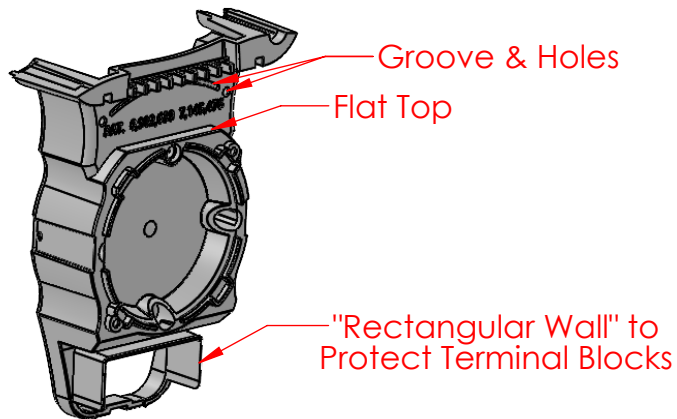
"R1": Earlier Version

Front View

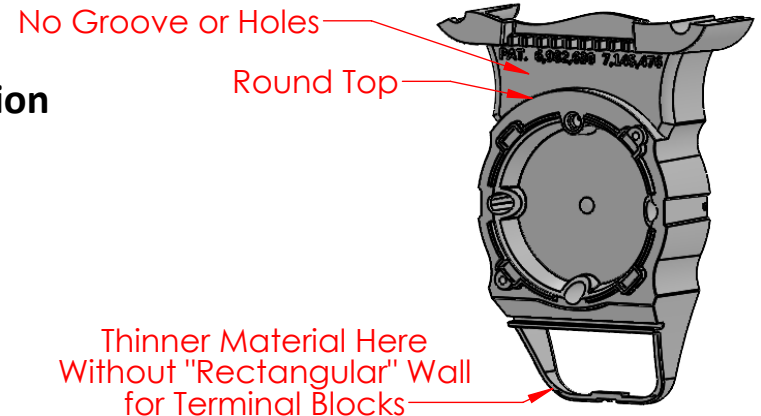
Rear View



"New" Plastics for "R2"



"Old" Plastics for "R1"



Product Ordering Information

iNS/iDS-CCK-YY-RR		
	-YY	-RR
-B	Black	-R1
-G	Green	-R2
-Y	Yellow	
-P#	Custom	