



## iNS3: "iNS" iNavigator 3-Wire Push Button Station with iDetect Option & PedApp®

The "iNS" iNavigator 3-Wire Push Button Station (iNS3 PBS) is the pedestrian interface to the iNavigator Accessible Pedestrian System. A system consists of a Ped Head Control Unit (iPHCU3S) and a Push Button Station. The iNS PBS is MUTCD compliant and provides valuable information and cues via both a vibrating arrow button and audible sounds, making the intersection accessible for all pedestrians. All sounds emanate from the front and back of the unit. A sunlight-visible red LED latches "ON" along with a tactile feedback "bounce" to confirm the button has been pushed. The vandal-resistant design of the iNS PBS includes the body, which houses the ADA compliant push button (shown), a faceplate (5X7 sign shown), and mounting hardware.

The iNS3 PBS is connected to the iPHCU3S via 3 Wires (Data, PWR, GND). Two wires to traffic cabinet are needed to place calls for actuated intersections.

### iD = iDetect Touchless Actuation Option

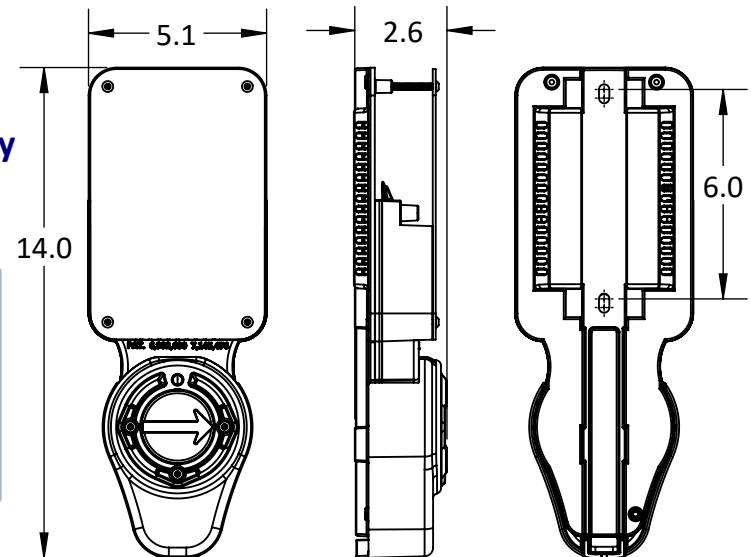
- Detects movement typically within 1-4 inches
- Inconspicuous Radar Detection - Vandal Resistant

### PedApp® - Smartphone App - Wireless Bluetooth® 5

- For Visually impaired & all pedestrians, allows button actuation from phone via Bluetooth wireless technology
- Can provide intersection crossing information - location, directionality
- Provides same information as visual indications (Don't Walk, Walk, Ped Clearance - audible countdown if programmed)
- Agency can control PedApp usage at intersections
- Works with "text to speech" in Smartphones
- Recommend agencies use/implement at pedestrian requested APS sites



9X12 Sign shown



Dimensions are inches

\*The iNS3 replaces the iN3 and is backward compatible with the iPHCU3W.  
See iNS3 Cut sheet for detailed list of features



Operating Specifications	
Parameter	Rating
Operating Temp. Range	-34°C to +74°C (-30°F to +165°F) <b>For iDetect see below</b>
Storage Temp. Range	-45°C to +85°C (-50°F to +185°F) <b>For iDetect see below</b>
Operating Force	3.0 lbs max, option of 3 adjustable programmed forces
Switch Operating Life	Greater than 20 million operations
Max. Volume	100 dB @ 1 meter

Design Compliance	
Functionality Test Type	Compliance
Temperature and Humidity	MUTCD 2009-4E
Transient Voltage Protection	NEMA TS2
Transient Suppression	NEMA TS2
Mechanical Shock and Vibration	NEMA TS2
iNS3 PBS Enclosure	NEMA 250 Type 4X
Electrical Reliability	NEMA TS2

Notes:

1. Lab tested to applicable sections of referenced standards
2. All specifications are subject to change without notice
3. All specifications are typical unless otherwise specified

**iDetect Radar Operating Specifications**

**Operating to MFG Specs: -20°C to + 60°C (-4°F to + 140°F)**  
**Operating -40°C to + 80°C (-40°F to + 176°F)**  
**Storage -40°C to + 80°C (-40°F to + 176°F)**

A 3 Wire Cable (General Cable: C2831A or equivalent) must be routed between each iNS3 PBS and Ped Head Control Unit (iPHCU3S). This cable is not supplied with the iNS3 PBS, but is available separately in precut 12 ft, 25 ft, and 50 ft lengths. See website for ordering numbers.

Terminal screws on each iNS3 PBS include washer (clamping plates) intended for bare wire. Crimp terminals are not recommended.

**iDS3 5 A N 0 - B - BD-ES**

**Additional Options**

NA - No Arrow  
 BD - Bi-Directional Arrow  
Other Options  
 WPC - With pole cap  
 ES - External Speaker option

**Button Cover Color**

Back plate is always black.  
 B - Black  
 G - Green  
 Y - Yellow

**Audio Message Option**

0 - Standard messages  
 1 - Custom Messages

**Braille**

N - No braille on faceplate  
 B - Braille on faceplate

**Faceplate (Sign)**

MUTCD Compliant  
 V - 9x12 R10-3  
 U - 9X12 R10-3b  
 T - 9x15 R10-3e

Non-MUTCD Compliant

A - 5x7- International  
 B - 5x7- International  
 C - 9X12- Countdown  
 D - 5X7 or 9x12- International  
**E - 5X7 Touchless**  
 O - No Faceplate  
**R - 9X12 or 9X15 Touchless**

**Size of Front Plate Adapter**

5 - 5" x 7"  
 9 - 9" x 12"  
 3 - 9" x 15"

**Navigator Family**

iNS3 - iNavigator S 3-Wire Push Button without iDetect  
**iDS3 - with iDetect Option**