



iNS3: "iNS" iNavigator 3-Wire Push Button Station

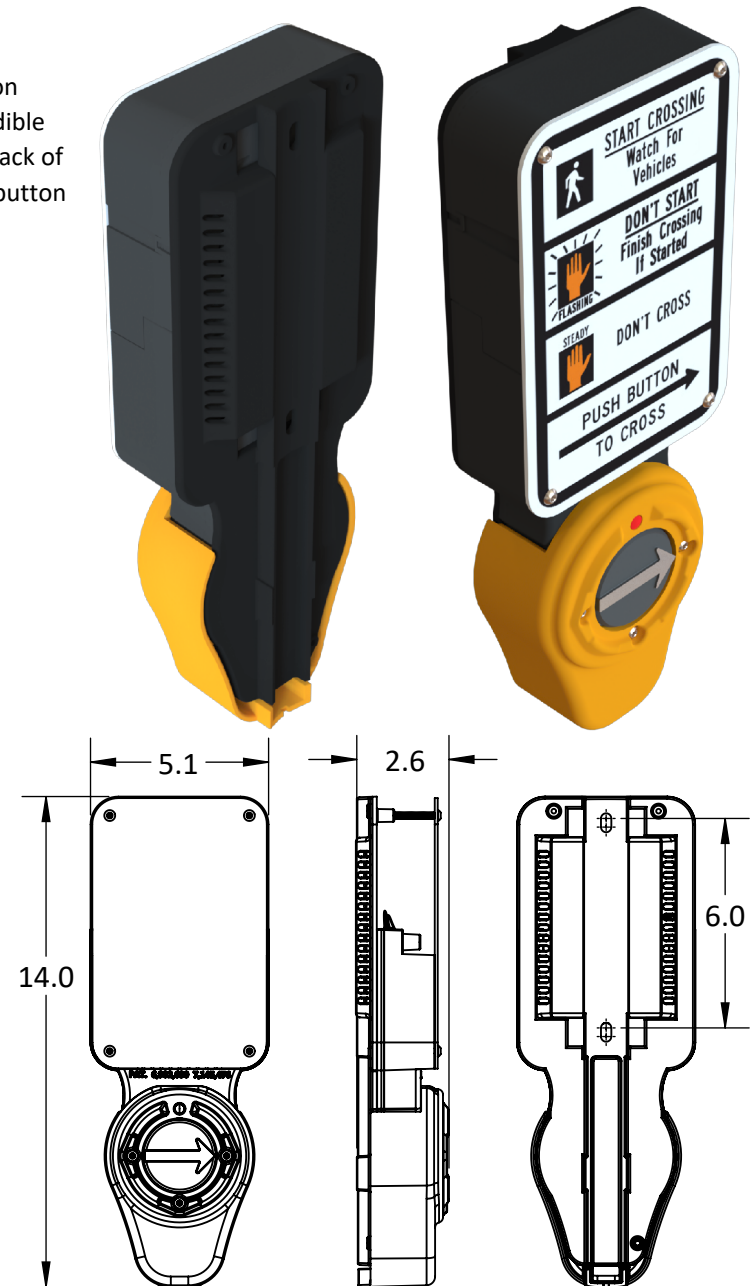
The "iNS" iNavigator 3-Wire Push Button Station (iNS3 PBS) is the pedestrian interface to the iNavigator Accessible Pedestrian System. A system consists of a Ped Head Control Unit (iPHCU3S) and a Push Button Station. The iNS3 PBS provides valuable information and cues via both a vibrating arrow button and audible sounds, making the intersection accessible for all pedestrians. All sounds emanate from the front and back of the unit. A sunlight-visible red LED latches "ON" along with a tactile feedback "bounce" to confirm the button has been pushed. The vandal-resistant design of the iNS3 PBS includes the body, which houses the ADA compliant push button (shown), a faceplate (5X7 sign shown), and mounting hardware.

By interfacing with the iPHCU3S that installs in the Ped Head, the iNS3 PBS can provide the following standard features:

- 3 Wires (Data, PWR, GND) connect iPHCU3S to iNS3. Two wires to traffic cabinet are needed to place calls for actuated intersections.
- Cuckoo, Chirp, Rapid Tick, Verbal, or other user-customized voice messages during walk. A total of 10 walk sound options are included with an additional 3 locations for custom sounds.
- Standard locating tone during Don't Walk (and Clearance if desired)
- Choice of 4 locating tones, Canadian Melody, or verbal countdown during PED clearance
- Walk, Clearance, and Don't Walk sounds automatically adjust to ambient
- Separate ambient response settings for Locate Tone (for quiet ambient conditions)
- Independently set maximum and minimum volume on most sounds
- Button vibrates during Walk
- Button push confirmed by latching LED, tactile bounce, and audible "wait" sound
- Extended button push can boost volume for next Walk and Clearance
- Direction of travel message with extended button push, capable
- Extended Push activation settings: 0-6 second range, 0.5 second increments
- Extended Push can turn on and boost volumes on the activated crosswalk
- Beacons and Ping Pong features available
- Custom audio messages, configuration settings, and firmware updates can be easily uploaded wirelessly via Bluetooth using Windows or iOS
- Select audio messages, change settings, and perform firmware updates wirelessly using iOS (9.0+) or Android (5.0+) devices, or a Windows PC with Polara's Bluetooth Dongle (PN iN-DGL, purchased separately)
- Built in health/event logging feature, up to 1000 events
- External speaker option at time of order
- External button input for bike lanes, horses, etc.
- Warranty: 3 year limited

*The iNS3 replaces the iN3 and is backward compatible with the iPHCU3W.

Dimensions are in inches. iNS35BN0-Y unit shown.





Operating Specifications	
Parameter	Rating
Operating Temp. Range	-34°C to +74°C (-30°F to +165°F)
Storage Temp. Range	-45°C to +85°C (-50°F to +185°F)
Operating Force	3.0 lbs max, option of 3 adjustable programmed forces
Switch Operating Life	Greater than 20 million operations
Max. Volume	100 dB @ 1 meter

Design Compliance	
Functionality Test Type	Compliance
Temperature and Humidity	MUTCD 2009-4E
Transient Voltage Protection	NEMA TS2
Transient Suppression	NEMA TS2
Mechanical Shock and Vibration	NEMA TS2
iNS3 PBS Enclosure	NEMA 250 Type 4X
Electrical Reliability	NEMA TS2

Notes:

1. Lab tested to applicable sections of referenced standards
2. All specifications are subject to change without notice
3. All specifications are typical unless otherwise specified

A 3 Wire Cable (General Cable: C2831A or equivalent) must be routed between each iNS3 PBS and Ped Head Control Unit (iPHCU3S). This cable is not supplied with the iNS3 PBS, but is available separately in precut 12 ft, 25 ft, and 50 ft lengths.

iNS3 PBS Cables	
Part No.	Length
iN3-CABLE-12	12 ft
iN3-CABLE-25	25 ft
iN3-CABLE-50	50 ft

Terminal screws on each iNS3 PBS include washer (clamping plates) intended for bare wire. Crimp terminals are not recommended.

Dimensions are in inches.

iNS3 5 A N 0 - B - BD-ES

Additional Options

Button Options

NA - No Arrow
BD - Bi-Directional Arrow

Other Options

WPC - With pole cap
ES - External Speaker option

Button Cover Color

Back plate is always black.

B - Black
G - Green
Y - Yellow

Audio Message Option

0 - Standard messages
1 - Custom Messages

Braille

N - No braille on faceplate
B - Braille on faceplate

Faceplate

MUTCD Compliant

V - 9x12 R10-3
U - 9X12 R10-3b
T - 9x15 R10-3e

Non-MUTCD Compliant

A - 5x7- International
B - 5x7- International
C - 9X12- Countdown
D - 5X7 or 9x12- International
O - No Faceplate

Size of Front Plate Adapter

5 - 5" x 7"
9 - 9" x 12"
3 - 9" x 15"

Navigator Family

iNS3 - iNavigator S 3-Wire Push Button