

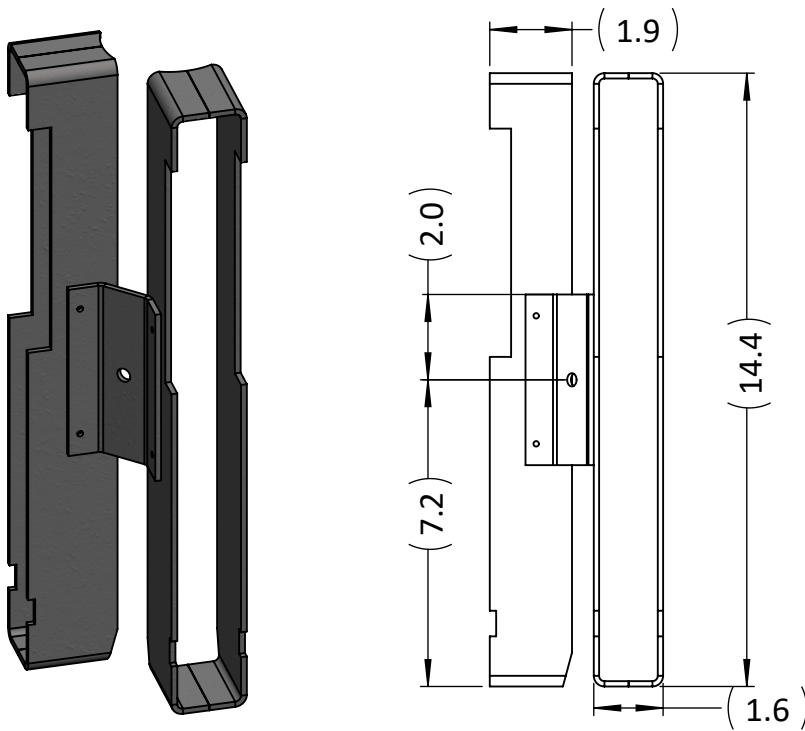


## iNSDM-2.9-B iNS Dual Mount for 2.9" Poles

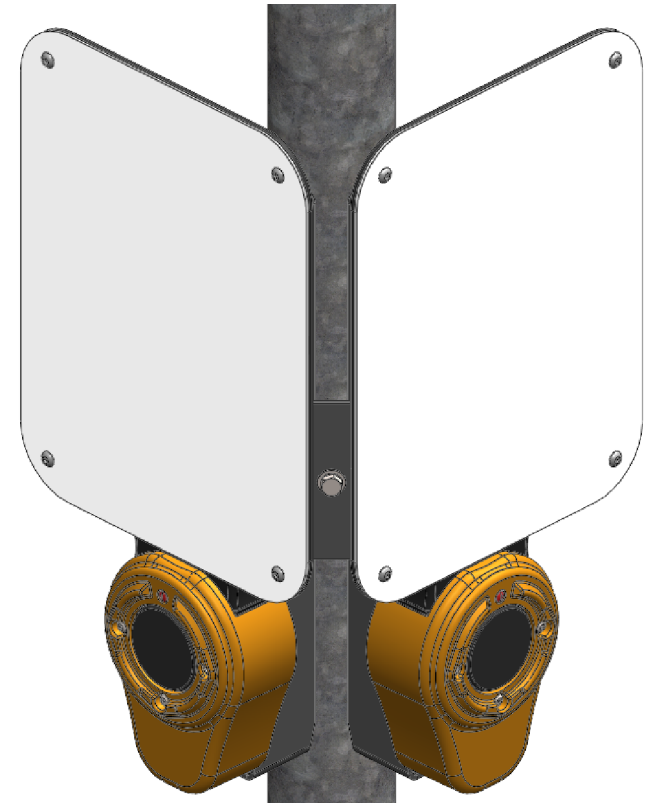
This bracket is designed to mount two "iNS" Navigator push button stations on a 2.9" O.D. pole. The depth of the bracket allows for two units with 9" x 12" or 9" x 15" signs to be mounted without interference. **Note: This mount is designed only to fit the "iNS" Navigator PBS.**

The mount attaches to the traffic pole with a single 1" long 1/4-20 bolt through the center plate. The push button stations attach to the pole with two 2.5" long 1/4-20 hex bolts each. All mounting hardware is included.

These dual mounts are constructed from aluminum, powdercoated black. Additional colors can be quoted upon request.



Dimensions are in inches.



iNSDM-2.9-B with two "iNS" Navigator PBSs Mounted on a 2.9" OD Pole

