



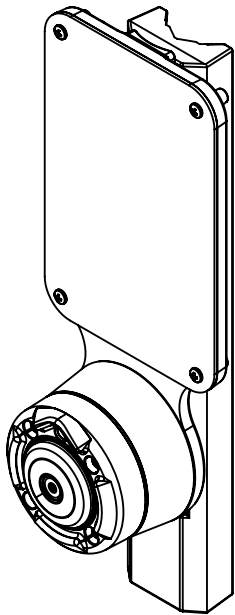
iNSPA-B-FP: Fluted Pole Mounting Adapter

This adapter is a modified version of the iNSPA4X2 bracket, designed for decorative fluted poles. The cutouts on the bracket clear the flutes on most poles, allowing an "iN" or "iNS" PBS, or PBF2C to be mounted directly on, or up to 20 degrees to either side of a flute.

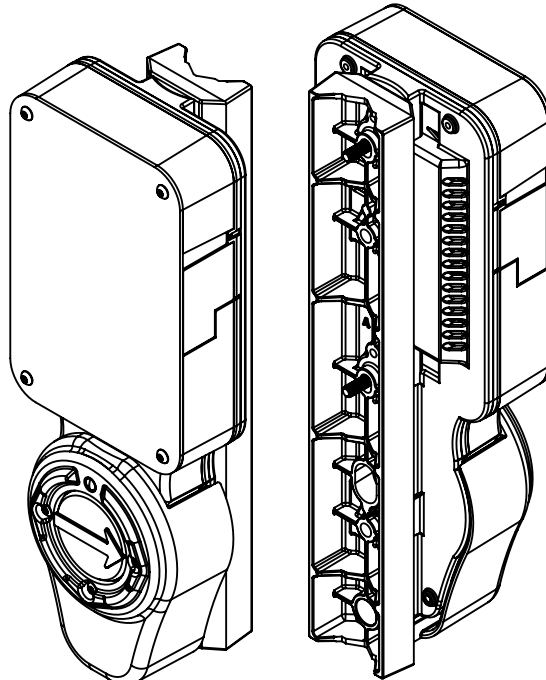
The adapter can be strapped or bolted to a pole. Tapped mounting holes are spaced 6" apart to match the spacing of the Navigator and standard push button frames.

The adapter cannot act as a dual mount adapter for units with 9"x12" or 9"x15" signs (allowing two units to be mounted on the same pole) except for "iN" and "iNS" Navigators on 4.5" poles.

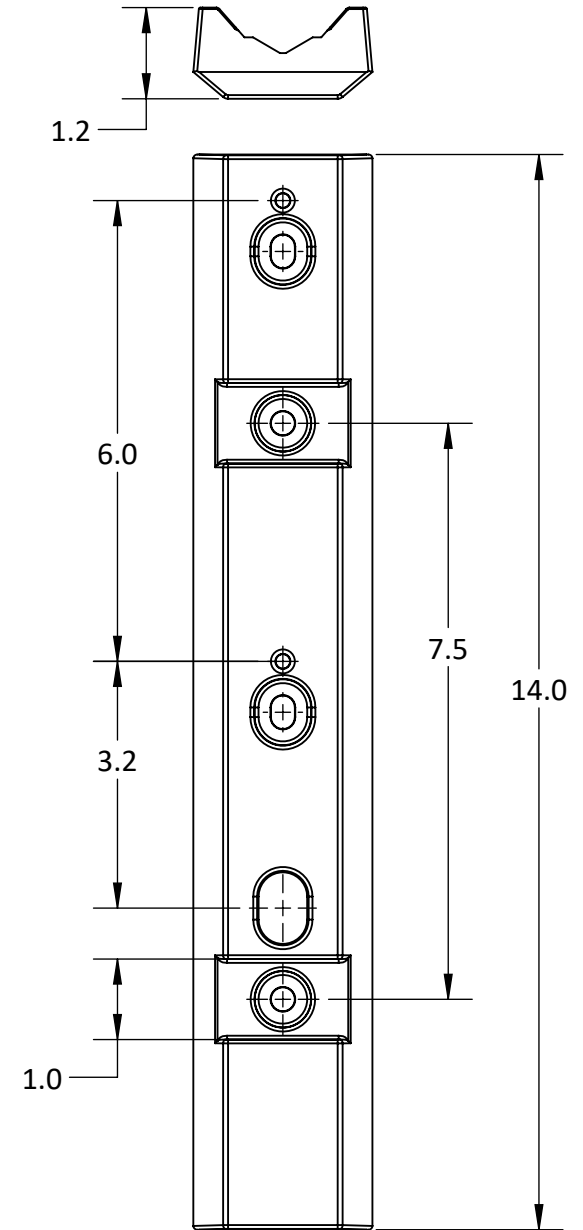
The bracket is made of aluminum, powder-coated black.



PBF2C w/ BDL3 mounted on iNSPA-B-FP



iNS PBS mounted on iNSPA-B-FP



Dimensions are in inches.