



iNSPA4X2-B: Adapter for mounting two iN Navigators on a 4.5" pole

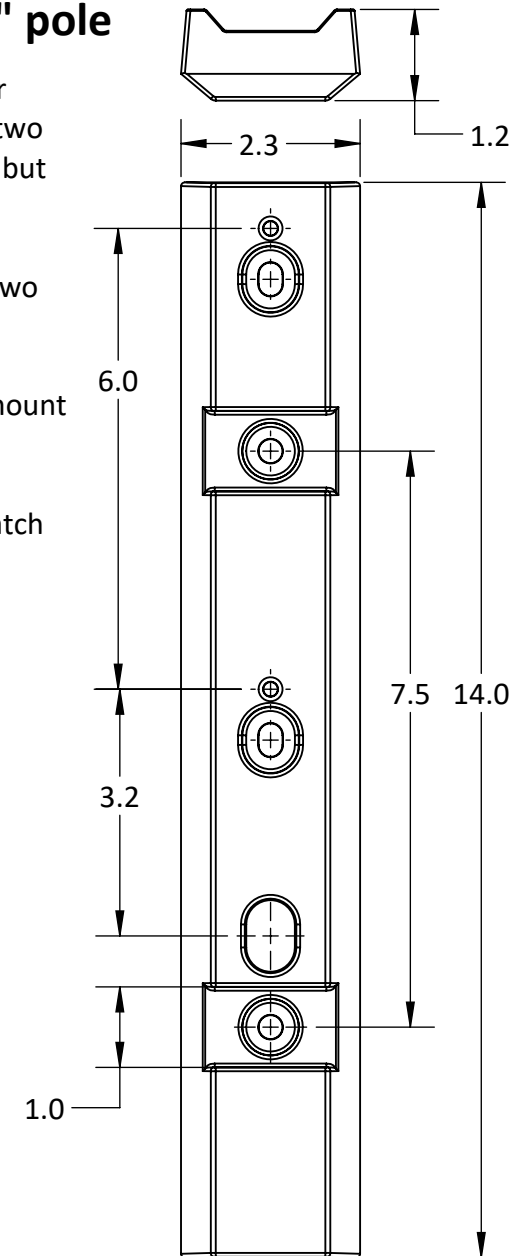
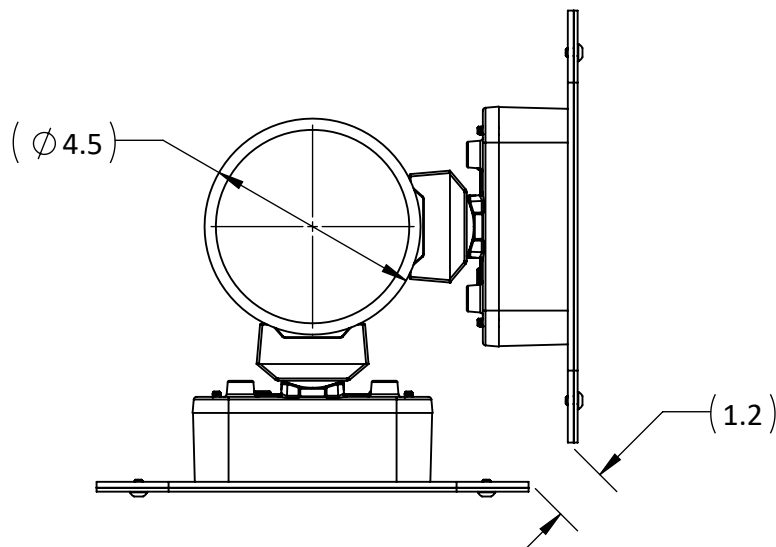
This adapter is designed to offset two "iN" Navigators on a 4.5" OD pole such that two 9"x12" or 9"x15" signs can be mounted without conflict. One adapter is needed behind each unit. These two adapters accomplish the same outcome of mounting two "iN" Navigators as the iNPBF2S-4.5-B, but with minimal gap between the signs.

The "iNS" Navigator can be mounted to this adapter, but the adapter is not required to mount two iNS units onto a 4.5" OD pole.

PBF2 and PBF2C push button frames may also mount to this adapter, but it cannot be used to mount two frames with 9"x12" or 9"x15" signs on a 4.5" pole. The PBF2S-4.5-B should be used instead.

The adapters can either be strapped or bolted to the pole. For bolting, holes are provided to match the 6" spacing of most push button frames.

The adapter is made of aluminum, powder-coated black.



Dimensions are in inches.