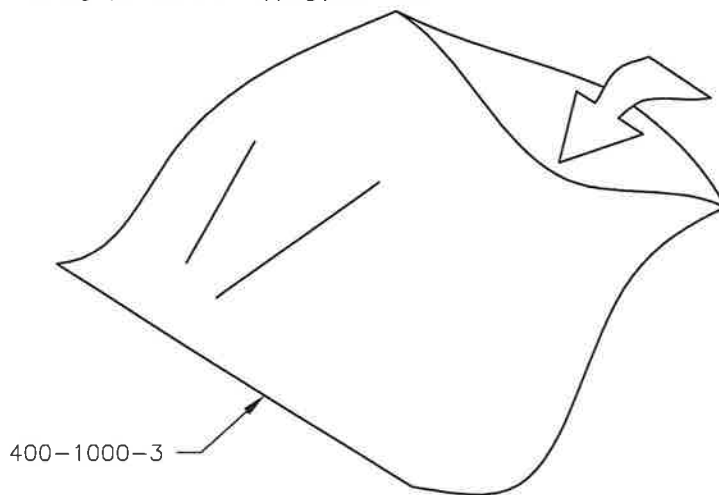
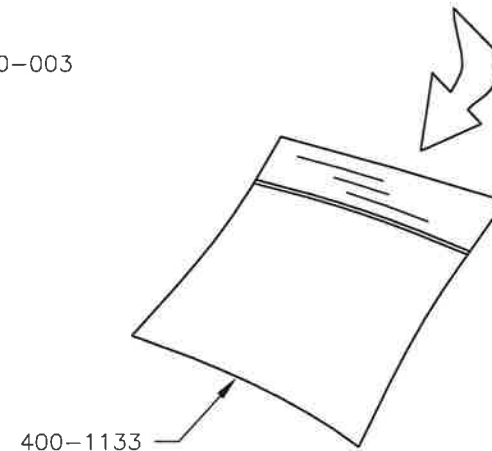
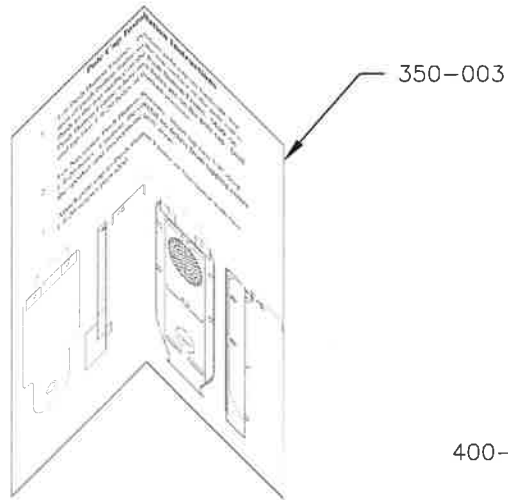
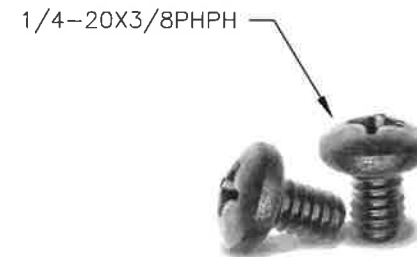
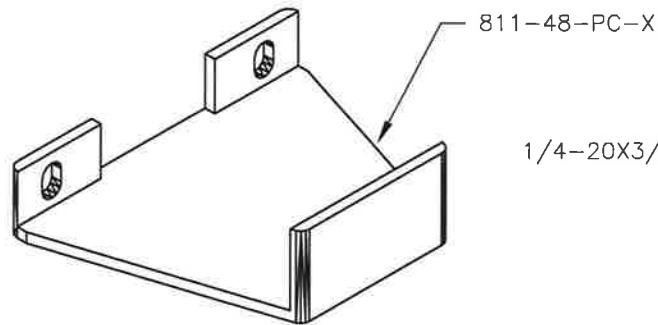


Part #	Description	QTY
1/4-20X3/8PHPH	Phillips Pan Head Screw	2
350-003	Installation Instructions	1
400-1000-3	Plastic Bag, 6x8 Ziplock	1
400-1133	Plastic Bag, 2x2 Ziplock	1
811-48-PC-X	Pole Cap, Powder Coated	1

DWG. NO.  
WPC-X

**Instructions:**

1. Bag-up hardware into 2" x 2" Zip Lock Bag (400-1133).
2. Fold Installation Instructions (350-003) and place Instructions, Pole Cap (811-48-PC-X) and bagged hardware into 6" x 8" Zip Lock Bag (400-1000-3).
3. Fold and staple bag closed.
4. Package per standard shipping procedures.



INFORMATION ON THIS DOCUMENT IS PROPRIETARY TO POLARA AND SHALL NOT BE USED, COPIED, REPRODUCED OR DISCLOSED IN WHOLE OR IN PART WITHOUT WRITTEN CONSENT OF POLARA. POLARA RESERVES THE RIGHT TO MAKE CHANGES TO FEATURES, SPECIFICATIONS AND INFORMATION HEREIN WITHOUT NOTICE.

304-250 Rev. C23966  
05/09/13

EFF. DATE	REV	ECO NO.	DESCRIPTION	BY	CKR	RSP	ENG	MFG	QA	FNL
12-15-14	A	24283	Correct P/N Callout	NT	BCB	LB	BW	JMc	MDN	JMc
08-25-11	NR	23426	Initial Release	BCB	NT	LB	BW	JMc	MDN	JMc

**POLARA ENGINEERING INC.**  
9153 STELLAR COURT, CORONA, CA. 92883

TOLERANCES: N/A (EXCEPT AS NOTED) SCALE -

DATE 08-25-11 DRAWN BY BCB SHEET 1 OF 1 WHERE USED WPC

TITLE POLE CAP DWG. WPC-X

COPY