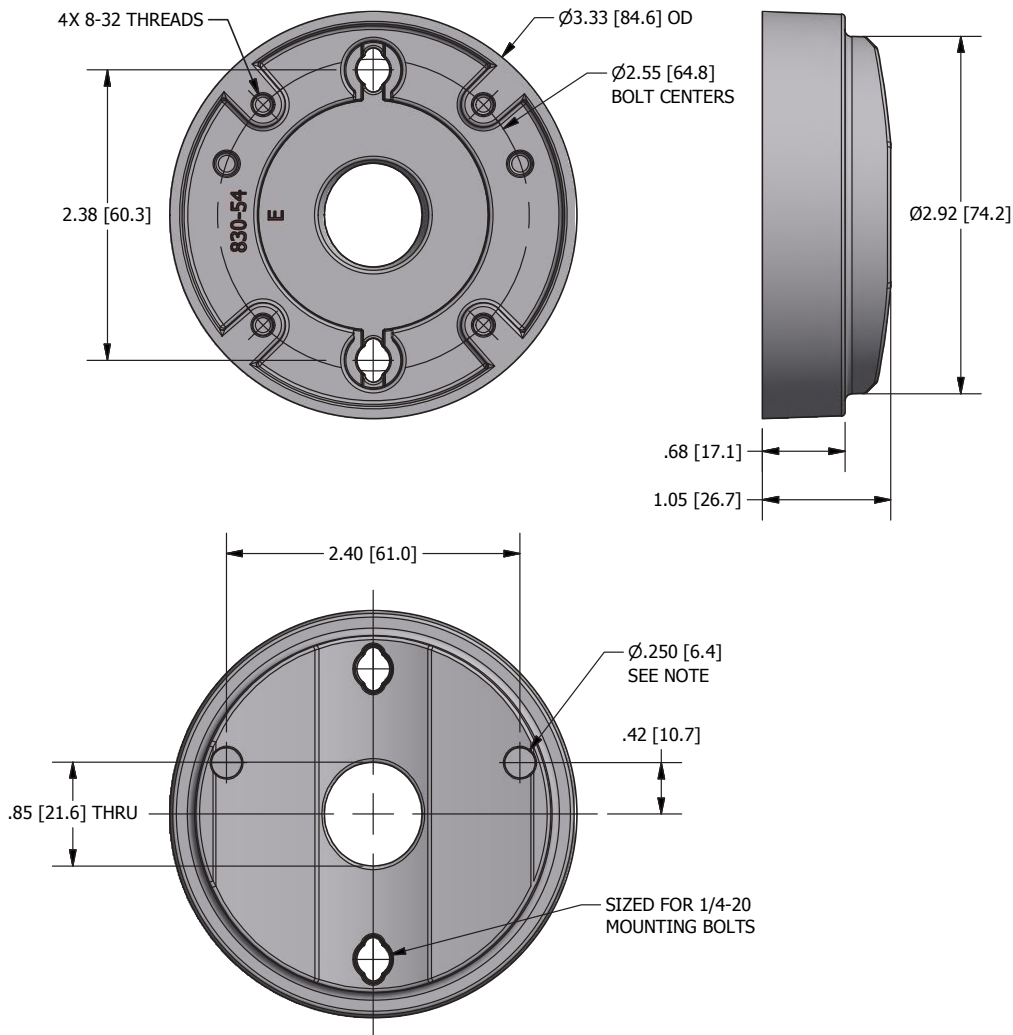




BDPM3-X: UNIVERSAL BULLDOG POLE MOUNT



This cast aluminum Universal Bulldog Pole Mount is uniquely designed to provide either: a very strong and low profile mounting option for Polara's Bulldog Push Button, or as an adapter to a variety of existing mountings. With Polara's Bulldog Button attached to this mount (and directly to the pole), the main body of the button extends only 1.5" from the pole.

The low profile design restricts anyone who attempts to use the button as a foothold to climb the pole. It is also a very rugged solution to vandals who try to damage the buttons. This mount, along with the Bulldog Push Button, is the most vandal resistant button available on the market.

Polara Engineering's Universal Adapter can be used to mount a Bulldog Push Button directly to an existing **Pelco** and some **Teeco** mounting cups. This mounting is designed to provide a strong mount for Polara's Bulldog Push Button. The low profile Bulldog adapter mounting system adds less than 3/4" of extension from the existing button cup or frame. Order as PA-1X (for "X" see below) to ensure correct mounting hardware is included for this option.

Polara installs high quality stainless steel helicoils to use with stainless steel button screws. Should the agency ever have to replace a pushbutton, the screws can be removed easily versus dealing with bi-metal corrosion issues that occur with other aluminum mounts.

To designate color replace "X" in part number (BDPM3-X or PA-1X) with:

- "B" for Black
- "G" for Green
- "Y" for Yellow

Material: Powder Coated Cast Aluminum, Stainless Steel Hardware

Note: These holes are not drilled out. They are provided as a simple drill template for the installer to use should they require them.