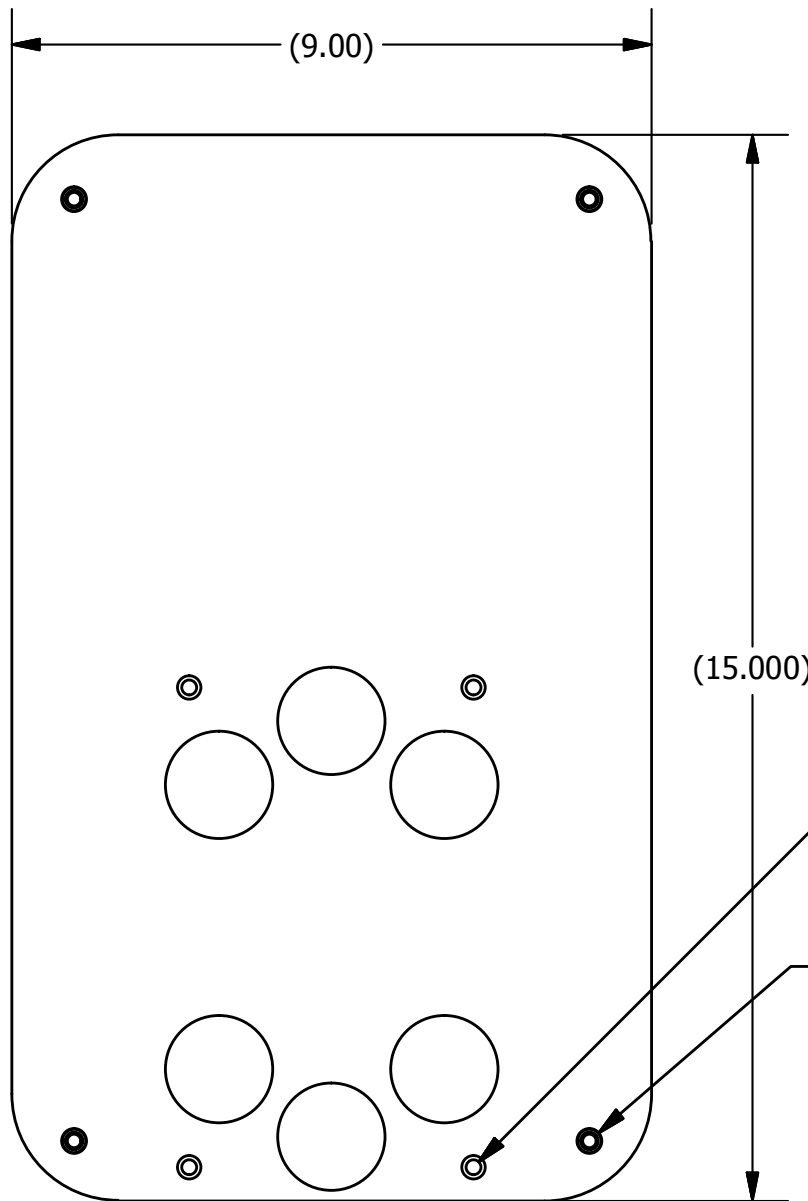




### PBFA9X15-X Push Button Frame Adapter, 9" x 15"



Polara Enterprises' 9" x 15" Push Button Frame Adapter is designed to be attached to Polara's PBF5X7(C)-X Push Button Frames, for mounting 9" x 15" crosswalk signs. These adapters can also be used on 2 wire and 3 wire APS Push Button Stations. Their aluminum structure and powder coat finish provides a very strong and attractive mount for crosswalk signs. Hardware to mount to a Push Button Frame or APS is included.

To designate color, replace the "X" in the part number with:  
"B" for Black  
"G" for Green  
"Y" for Yellow

Material: Aluminum

4x  $\varnothing$ .20 THRU  
 $\sphericalangle$   $\varnothing$ .325 X 82°  
(#8 COUNTERSINK)

4X 1/4-20 THRU