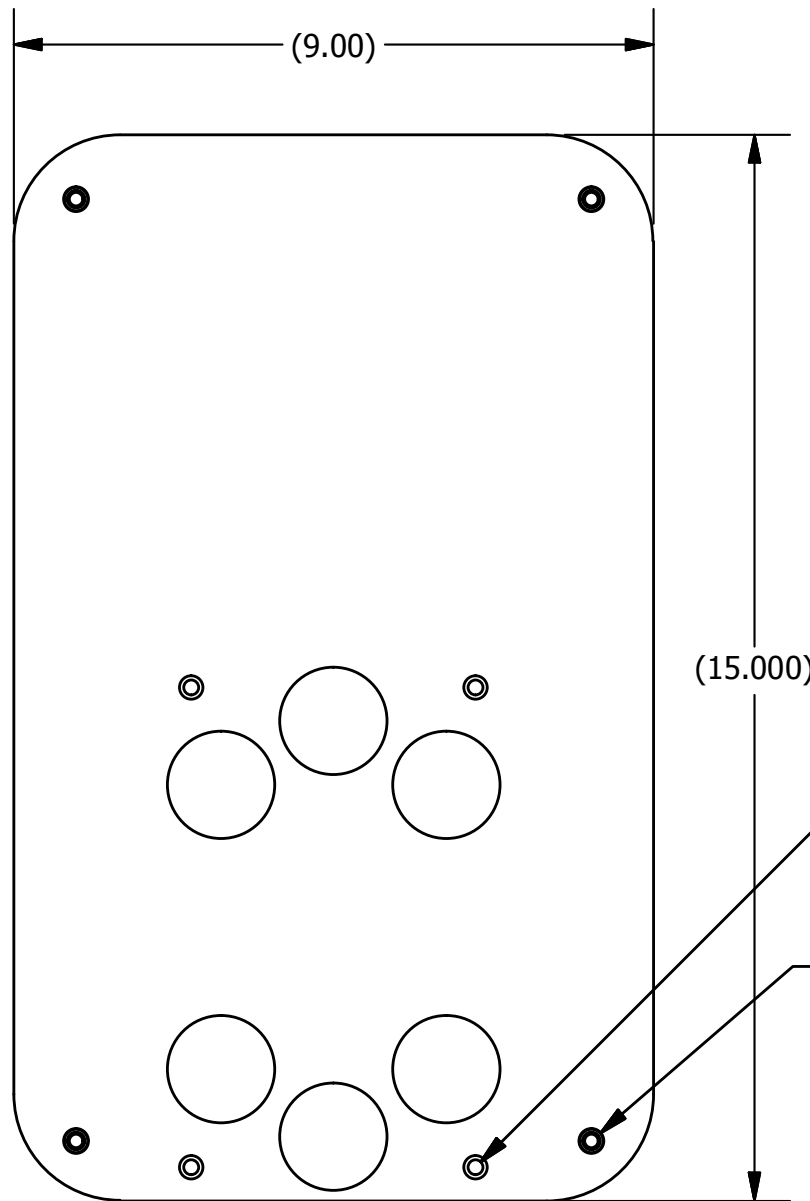


PBFA9X15-X Push Button Frame Adapter, 9" x 15"



Polar Engineering's 9" x 15" Push Button Frame Adapter is designed to be attached to Polar's PBF5X7-X Push Button Frame, for mounting 9" x 15" crosswalk signs. These adapters can also be used on 2 wire and 4 wire Navigators. Their aluminum structure and powder coat finish provides a very strong and attractive mount for crosswalk signs.

To designate color, replace the "X" in the part number with:

- "B" for Black
- "G" for Green
- "Y" for Yellow

Material: Aluminum

4x \varnothing .20 THRU
✓ \varnothing .325 X 82°
(#8 COUNTERSINK)

4X 1/4-20 THRU