



## iNS-EXTANG-XX: Angled Mount Extender for iN and iNS Navigator, PBF2, and PBF2C

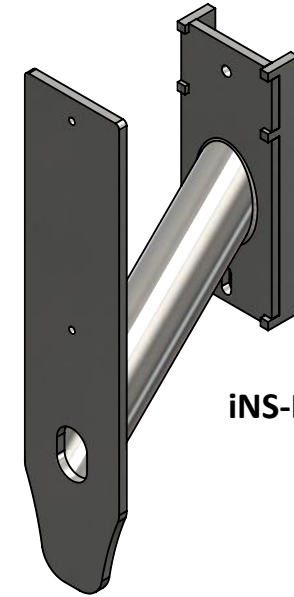
The MUTCD specifies a maximum push button height of 48" with no minimum specified. The recommended height is typically 42" above ground/standing grade, but it can be lower. This angled mount is a good choice as a universal standard mount for most applications.

In the case where a push button frame is already mounted with 6" bolt spacing and the button height is at or near the 42" recommended height, this extender allows you to install an "iN" or "iNS" Navigator, PBF2, or PBF2C with a 6" or 12" extension using the existing ¼-20 holes, and still maintain a 42" button height within approximately ±1".

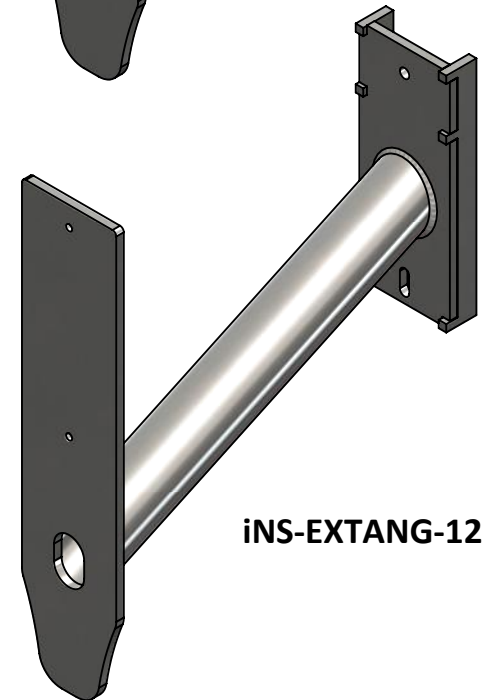
On poles with decorative features that prevent the button from mounting at 42", this extender allows a reduction in height of up to approximately 5".

For new installations with new mounting holes, this extender can be used in place of the iNS-EXT-XX. Thus it can serve as a stock item that fits all but some large decorative base applications.

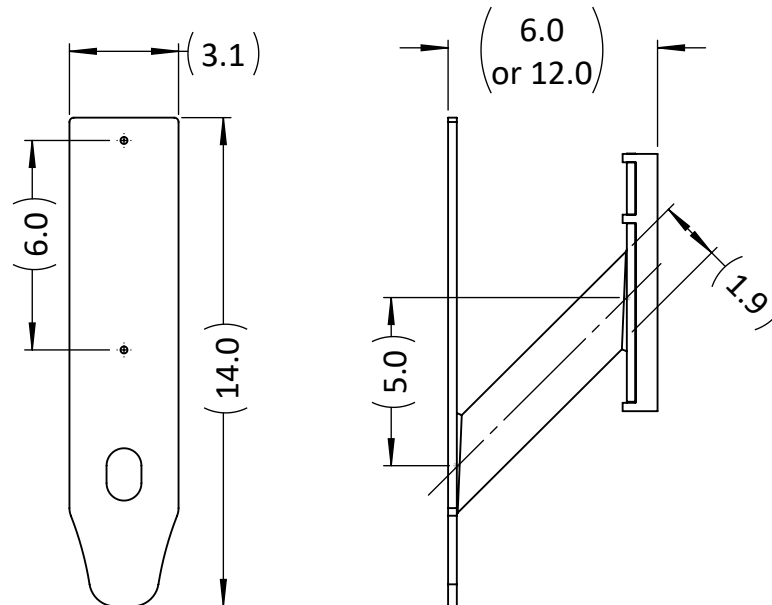
This extender can be fastened to the pole by either banding (up to 1" wide) or bolted using the two ¼-20 mounting bolts supplied with each extender. It is constructed from welded steel, with a hot dipped galvanize coating.



iNS-EXTANG-06



iNS-EXTANG-12



### Product Ordering Information

- iNS-EXTANG-06 6" extender
- iNS-EXTANG-12 12" extender

Dimensions are in inches.