

## iNSPA4X2-B: Adapter for Mounting Two iNavigators on a 4.5" Pole

This adapter is for use with the iNavigator family of Push Button Stations (PBS) when 9"x12" or 9"x15" signs are used on a 4.5" pole.

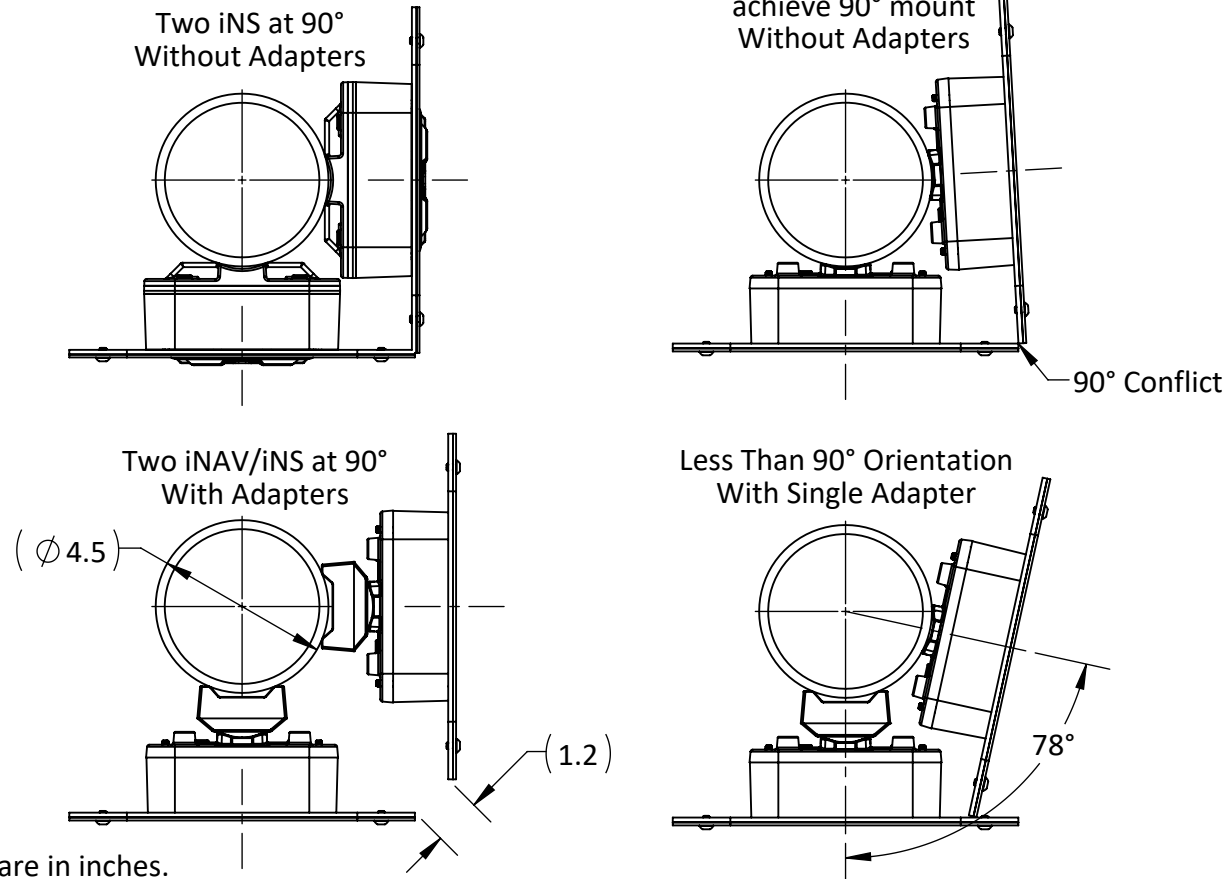
They are required to mount two iNAV Series Push Button Stations at 90° to each other because the signs make contact and do not allow 90° or less orientation. Because iNS Series Push Button Stations are slightly thicker, two can be mounted 90° to each other, but the signs will touch and slightly impede sound projection.

This adapter is designed to offset two push buttons so the signs can have a 1"+ gap between them that allows better sound projection, or to allow the push buttons to be mounted at angles other than 90° for skewed crosswalks. The iNPBF2S-4.5-B accomplishes a similar objective, but only allows 90° orientation.

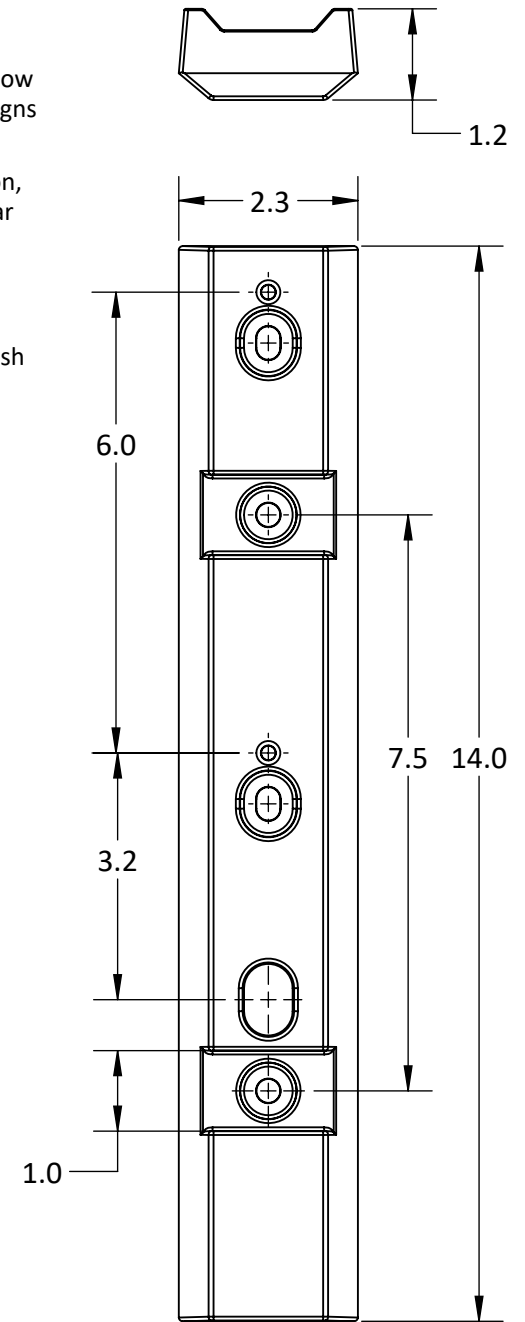
For 90° mounting of PBF2 and PBF2C push button frames with 9"x12" or 9"x15" signs you must use the PBF2S-4.5-B. This iNSPA4X2 would only allow limited, variable angle mounting for skewed intersections.

The adapters can either be strapped or bolted to the pole. For bolting, tapped holes are provided to match the 6" spacing of most push button frames.

The adapter is made of aluminum, powder-coated black.



Dimensions are in inches.



# iNSPA4X2-X ADAPTER FOR MOUNTING TWO PBF2, OR iNS NAVIGATORS ON A 4.5" POLE

## Installation Instructions

This Adapter is designed to be either bolted or strapped to a pole. One Adapter is needed for each Navigator or PBF2.

### Bolting to Pole

The typical recommended button height is approximately 42". Drill a 1/2" (or larger) wire guide hole into pole approximately 42" above ground level or at the height you want the button to be. Hold Adapter so wire guide hole lines up with hole in pole. Mark locations of two counterbored mounting holes then drill and tap two 1/4-20 mounting holes in pole on 6" centers. Feed push button wires through wire guide hole and bolt Adapter to pole. Then connect wires to Navigator and bolt it to the adapter.

### Strapping to Pole

Drill two 1/2" (or larger) wire guide holes for push button wires at desired button height location and 90° to each other. Feed push button wires through holes in pole and holes in Adapters. Strap Adapters to pole locating straps across flat areas (2 places). Then connect wires to Navigator and bolt Navigators to the Adapters using supplied 1/4-20 bolts.

